



DELIVERING YOUR MESSAGE

## GB20/T - GB20T/EN

Suspending Spherical Loudspeakers

### MAIN PROPERTIES

Rated power, Watts: 20
Tappings 100 volt line, Watts: 20/10/5/2.5
Transformer Impedance, Ohms, 100V: 500/1k/2k/4k
Tappings 70.7 volt line, Watts: 10/5/2.5/1.25
Driver impedance, Ohms: 8
Effective frequency range, Hz (BSEN60268-5): 80-18,000
S.P.L. @ 1m, 1 watt, dB, Test Signal Bandwidth 100Hz-10 kHz: 94
S.P.L. @ Full power, Octave Bandwidth, dB: 107
Acoustic Power (dB – PWL@1 watt) 1 k/2kHz, dB: 95/90
Dispersion at 1k/2k Hz, Degrees: 160/140 (Vertical), 360/360 (Horizontal)
Directivity Axial Q factor, 1k/2kHz: 4.3/4.7
Dimensions, front & depth, mm: Ø254
Net weight, Kgs: 2.40
Colour/Finish: White
Material ABS moulding with UV inhibitors
Mounting Pendant hung

GB20T/EN is BS5839 Part 8 voice alarm compliant  
GB20T Supplied with 3m 5 core cable  
GB20T/EN Supplied with 3m 4 core fire rated cable

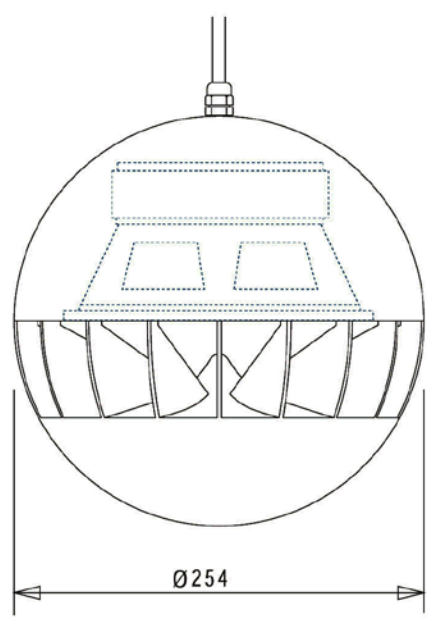




DELIVERING YOUR MESSAGE

## GB20/T - GB20T/EN

Suspending Spherical Loudspeakers



✓ circuit diagram  
**GB20/T**

