

DELIVERING YOUR MESSAGE

MHS20/T - MHS20T/EN

Metal directional multi purpose Horn loudspeakers

MAIN PROPERTIES

Rated power, Watts/ 20
Tappings 100 volt line, Watts/ 20/10/5/2.5/1.25
Transformer Impedance, Ohms, 100V/ 500/1k/2k/4k
Tappings 70.7 volt line, Watts /10/5/2.5/1.25
Driver impedance, Ohms/ 20
Effective frequency range, Hz (BSEN60268-5)/ 300-16,500
S.P.L. @ 1m, 1 watt, dB, Test Signal Bandwidth 100Hz-10 kHz/ 101
S.P.L. @ Full power Octave Bandwidth, dB/ 114
Acoustic Power (dB-PWL@1 watt) 1 k/2kHz, dB/ 100/98
Dispersion at 1k/2k Hz, Degrees/ 120/80
Directivity Axial Q factor, 1k/2kHz/ 4.7/12.5
Dimensions, front & depth, mm/ Ø217x297
Net weight, Kgs 2.7
Colour/Finish/ Grey RAL7035
Material Die cast aluminium housing
Mounting Lockable stainless steel U bracket



BS5839 Part 8 voice alarm compliant

www.ateis-europe.com

ATEIS Europe BV - Sydneystraat 42 - 3047BP ROTTERDAM - NETHERLANDS

Phone +31 (0)10 2088690 - Fax +31 (0)10 2088699



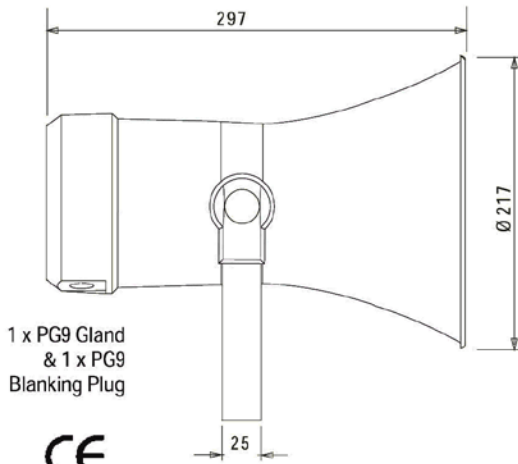
DELIVERING YOUR MESSAGE

MHS20/T - MHS20T/EN

Metal directional multi purpose Horn loudspeakers

side view

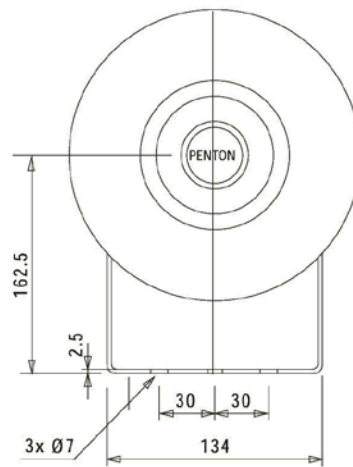
unit: mm



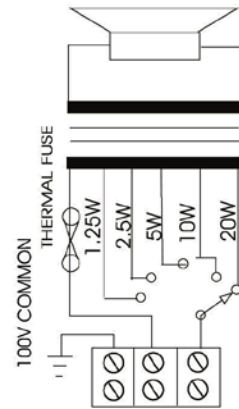
1 x PG9 Gland
& 1 x PG9
Blanking Plug

front view

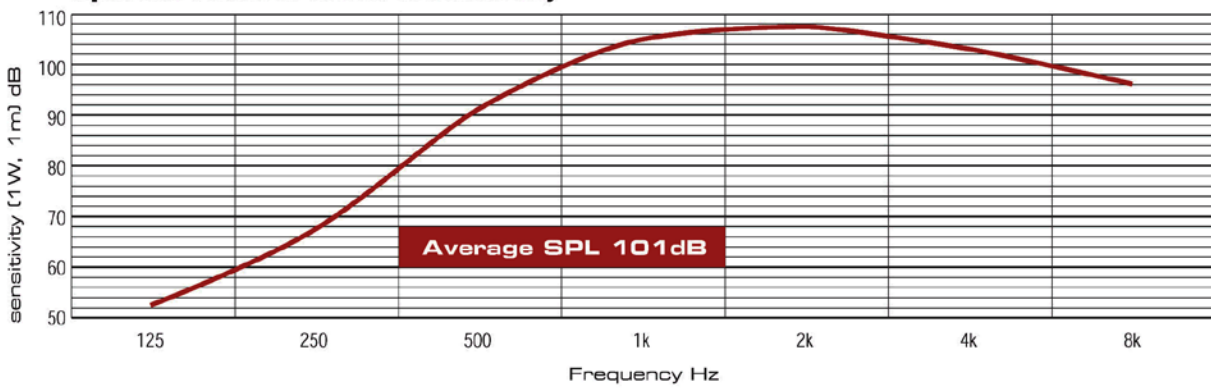
unit: mm



circuit diagram



speech octave band sensitivity



Effective Frequency Range ● MHS20T/EN 300Hz - 16,500Hz