

PH30T/EN

Plastic Directional Multi-purpose Horn Loudspeakers

MAIN PROPERTIES

Rated power, Watts 30
Tappings 100 volt line, Watts 30/15/7.5/3.75
Transformer Impedance, Ohms, 100V 330/660/1.32k/2.64k
Tappings 70.7 volt line, Watts 15/7.5/3.75/1.875
Driver impedance, Ohms 20
Effective frequency range, Hz (BSEN60268-5) 330-8,000
S.P.L. @ 1m, 1 watt, dB, Test Signal Bandwidth 100Hz-10 kHz 103
S.P.L. @ Full power Octave Bandwidth, dB 118
Acoustic Power (dB-PWL@1 watt) 1 kHz, dB 101/100
Dispersion at 1k/2kHz, Degrees 110/70
Directivity Axial Q factor, 1 k/2kHz 6.20/15.1
Dimensions, front & depth, mm Ø238 x 287
Net weight, Kgs 2.30
Colour/Finish Grey RAL7035
Material ABS plastic housing with UV inhibitors
Mounting Stainless Steel U Bracket
Gland: 1
Ceramic connector: 1
Thermal capsule: 1

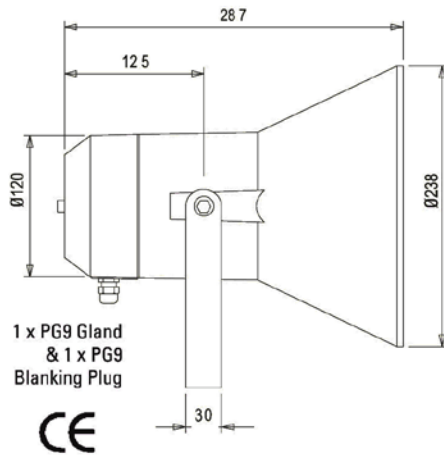


PH30T/EN

Plastic Directional Multi-purpose Horn Loudspeakers

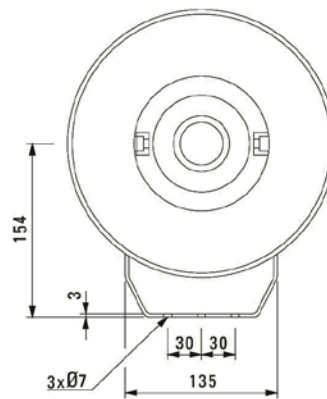
side view

unit: mm



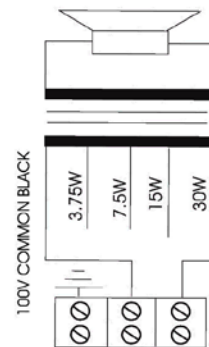
front view

unit: mm

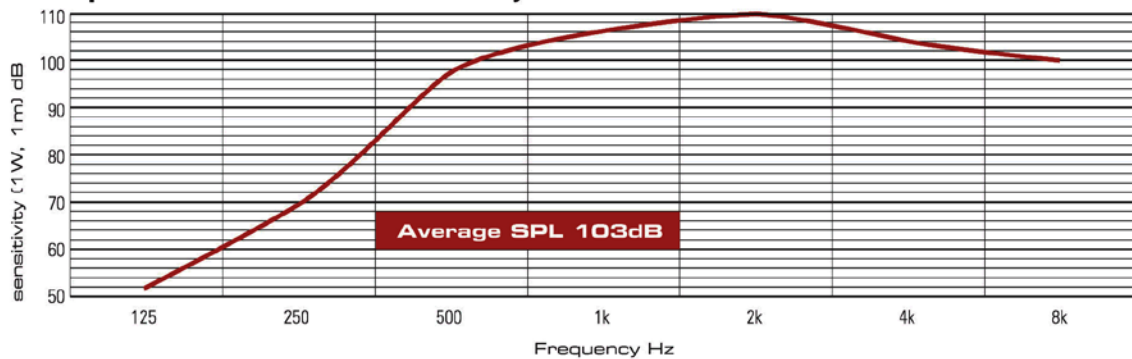


circuit diagram

PH30/T



speech octave band sensitivity



Effective Frequency Range **PH30T - PH30T/EN 330Hz - 8,000Hz**