

PH10T

Plastic Directional Multi-purpose Horn Loudspeakers

MAIN PROPERTIES

Rated power: 10 W.

Tappings 100 V line: 10 / 5 / 2.5 / 1.25 W.

Transformer impedance 100 V: 1 / 2 / 4 / 8 K Ω .

Driver impedance: 20 Ω .

Effective frequency range: 400 – 8000 Hz.

S.P.L @ 1m, 1watt, dB, test signal bandwidth 100 Hz – 10 kHz: 97 dB

S.P.L @ full power, Octave bandwidth: 107 Db.

Acoustic Power (dB-PWL@1 watt) 1 k/2k Hz, dB 95/97

Dispersion at 1 k / 2 kHz: 180 / 110.

Directivity Axial Q factor, 1 k/2k Hz 2.8/6.6

Dimensions, front & depth, mm \varnothing 138 x 200

Weight: 1.30 kg.

Operating temperature: -25°C to +45°C.

IP rating: IP66.

Color/finish: grey - RAL 7035.

Material: ABS plastic housing with UV inhibitors.

Mounting: Stainless Steel U Bracket.

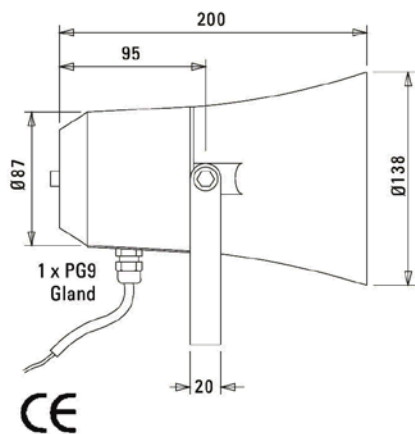


PH10T/EN is BS5839 Part 8 Voice Alarm compliant
PH10T Supplied with 300 mm 5 core cable

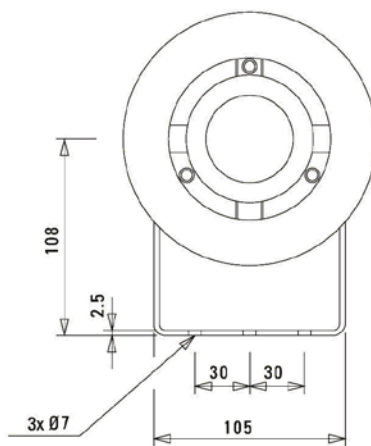
PH10T

Plastic Directional Multi-purpose Horn Loudspeakers

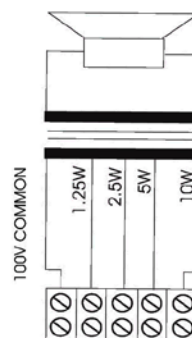
side view
unit: mm



front view
unit: mm



circuit diagram
PH10/T



speech octave band sensitivity

