

## PH10T/EN

### Plastic Directional Multi-purpose Horn Loudspeakers

#### MAIN PROPERTIES

Rated power: 10 W.

Tappings 100 V line: 10 / 5 / 2.5 / 1.25 W.

Transformer impedance 100 V: 1 / 2 / 4 / 8 K $\Omega$ .

Driver impedance: 20  $\Omega$ .

Effective frequency range: 400 – 8000 Hz.

S.P.L @ 1m, 1watt, dB, test signal bandwidth 100 Hz – 10 kHz:  
97 dB

S.P.L @ full power, Octave bandwidth: 107 Db.

Acoustic Power (dB-PWL@1 watt) 1 k/2k Hz, dB 95/97

Dispersion at 1 k / 2 kHz: 180 / 110.

Directivity Axial Q factor, 1 k/2k Hz 2.8/6.6

Dimensions, front & depth, mm  $\varnothing$ 138 x 200

Weight: 1.30 kg.

Operating temperature: -25°C to +45°C.

IP rating: IP66.

Color/finish: grey - RAL 7035.

Material: ABS plastic housing with UV inhibitors.

Mounting: Stainless Steel U Bracket.

Gland: 1

Ceramic connector: 1

Thermal capsule: 1



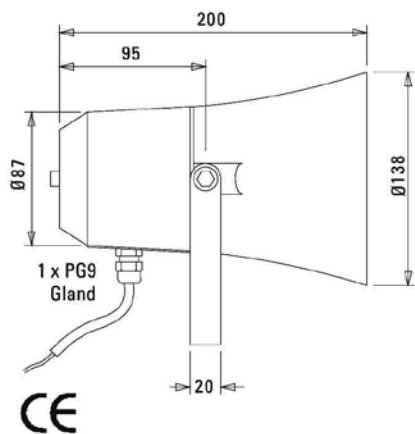
PH10T/EN is BS5839 Part 8 Voice Alarm compliant

PH10T Supplied with 300 mm 5 core cable

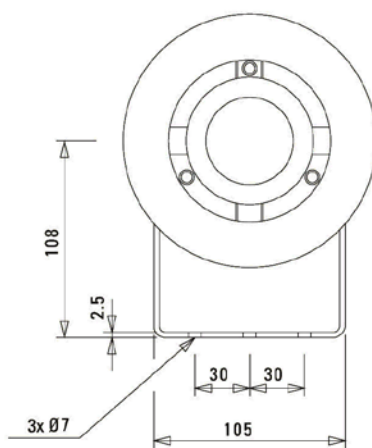
## PH10T/EN

Plastic Directional Multi-purpose Horn Loudspeakers

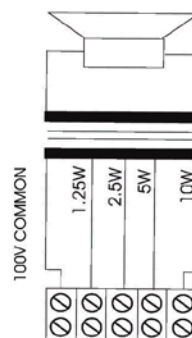
side view  
unit: mm



front view  
unit: mm



circuit diagram  
**PH10T**



speech octave band sensitivity

