



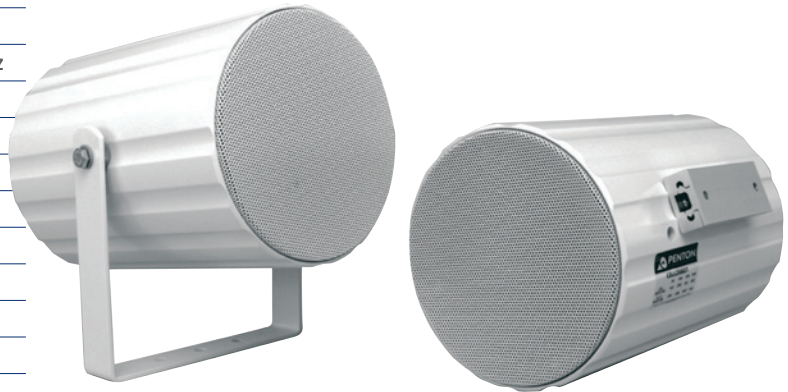
DELIVERING YOUR MESSAGE

## CELL10/T - CELL10T/EN

Metal Projector Speaker

### MAIN PROPERTIES

Rated power, Watts: 10
Tappings 100 volt line, Watts: 10/5/2.5/1.25
Transformer Impedance, Ohms, 100V: 1k/2k/4k/8k
Tappings 70.7 volt line, Watts: 5/2.5/1.25/0.375
Driver impedance, Ohms: 8
IP Rating: IP55
Effective Frequency range Hz (BSEN60286-5) +/- 3 dB :100-15000Hz
S.P.L. @ 1m, 1 watt, dB, Test Signal Bandwidth 100Hz-10 kHz: 91
S.P.L. @ Full power Octave Bandwidth, dB: 101
Acoustic Power (dB-PWL@1 Watt) 1k/2k Hz, dB: 87/90
Dispersion at 1k/2k Hz, Degrees: 180/120
Directivity Axial Q factor, 1k/2kHz: 2.8/5.9
Dimensions, front & depth, mm: Ø140 x 191
Net weight, Kgs: 1.9
Colour/Finish White RAL9016
Material Aluminium with Stainless Steel hardware
Mounting Aluminium U bracket



CELL10T/EN is BS5839 Part 8 voice alarm compliant

[www.ateis-europe.com](http://www.ateis-europe.com)

ATEIS Europe BV - Sydneystraat 42 - 3047BP ROTTERDAM - NETHERLANDS

Phone +31 (0)10 2088690 - Fax +31 (0)10 2088699

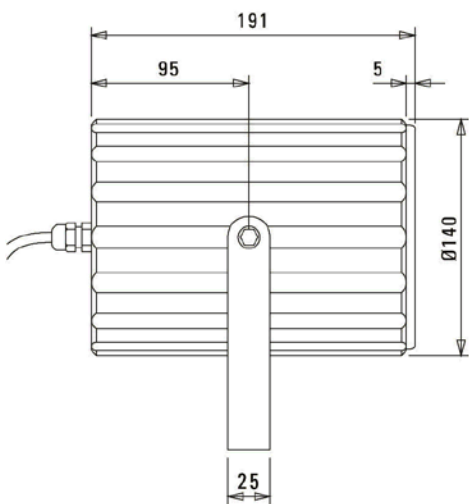


DELIVERING YOUR MESSAGE

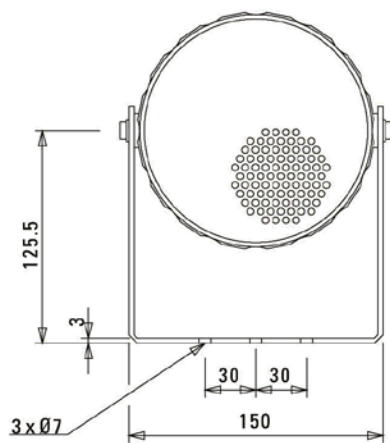
## CELL10/T - CELL10T/EN

Metal Projector Speaker

side view  
unit: mm



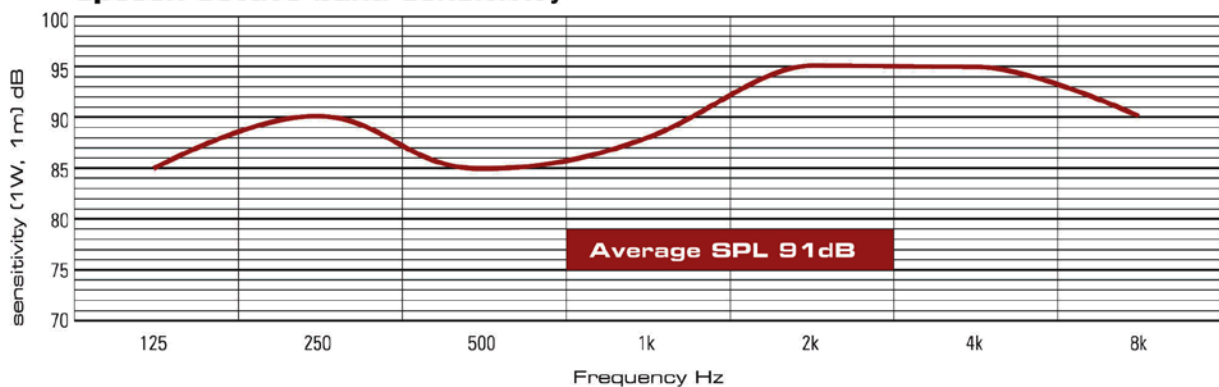
front view  
unit: mm



circuit diagram  
**CELL10/T**



speech octave band sensitivity



Effective Frequency Range ● CELL10/T - CELL10T/EN 120Hz - 18,000Hz