

Public Address - Voice Alarm

Audio Distribution over IP

Commercial Audio

Intelligent Acoustic Solutions

Intercommunication

Loudspeakers



## CAD20/T - CAD20/TC - CAD20/EN

### Weatherproof Plastic Projector Loudspeakers

#### ELECTRICAL

Rated power, Watts:	20
Tappings 100 volt line, Watts:	20/10/5/2.5
Transformer Impedance, Ohms, 100V:	500/1k/2k/4k
Tappings 70.7 volt line, Watts:	10/5/2.5/1.25
Driver impedance, Ohms:	8
Effective frequency range, Hz (BSEN60268-5):	110-18KHz
S.P.L. @ 1m, 1 watt, dB, Test Signal Bandwidth 100 Hz-10 kHz:	91
S.P.L. @ Full power Octave Bandwidth, dB:	104
Acoustic Power (dB-PWL@1 watt) 1k/2kHz, dB:	89/90
Dispersion at 1k/2k Hz, Degrees :	180/120
Directivity Axial Q factor, 1k/2kHz:	2.6 /5.6

#### MECHANICAL

Dimensions, front & depth, mm:	Ø138 x 204
Net Weight, Kgs:	1.6
Colour (Unless Specified):	White RAL9016
Material: ABS Plastic with UV inhibitor and Stainless steel hardware	
Mounting:	Aluminium U or straight bracket



### CAD20/T - CAD20/TC - CAD 20/EN

The CAD20/T - CAD20/TC - CAD20/EN are weatherproof sound projectors, they offer a combination of style and performance that is hard to match. Manufactured from an ABS moulded component with built-in UVL (ultra violet light) protection, complete with a high quality, plastiflex treated cone.

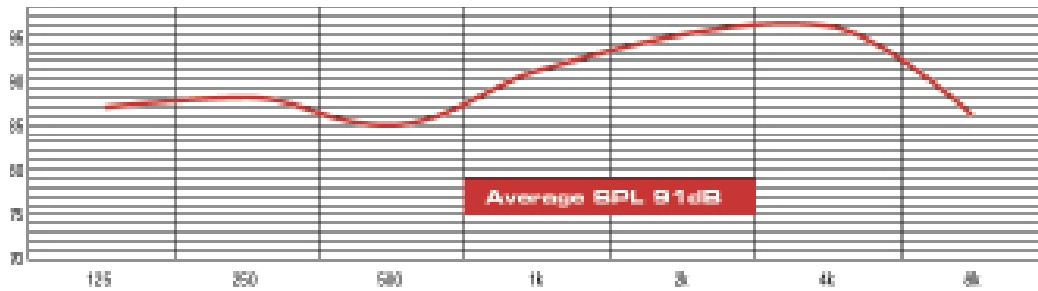
The CAD series speakers come with either an aluminium U or straight bracket for ease of installation. The CAD20/T - CAD20/TC - CAD20/EN rated at 20 watts. Both units are supplied in the same stylish and compact enclosure, ideally suited for speech and music reproduction. With the added advantage of being fully weatherproofed, they are ideal for use on railways, car parks, shopping centres, sports grounds etc.

In compliance with BS5839 part8, the "C" versions incorporate a ceramic terminal and thermal fuse and are, therefore, suitable for

# Projector Loudspeakers-IV

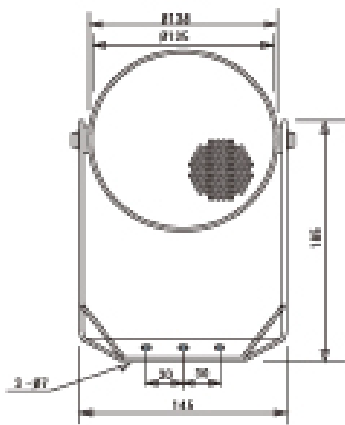
## CAD Series CAD20/T CAD20/TC CAD20/EN

Speech octave band sensitivity

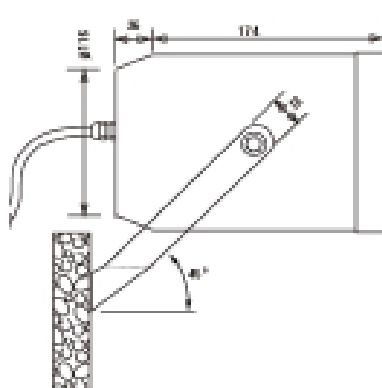


Effective Frequency Range - 110 - 18 kHz

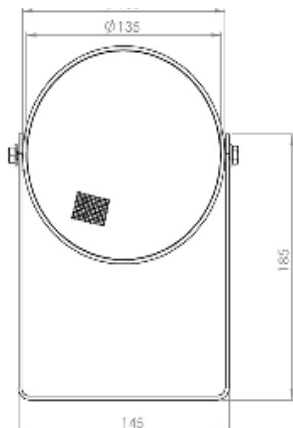
CAD20/T - CAD20/TC  
Front view



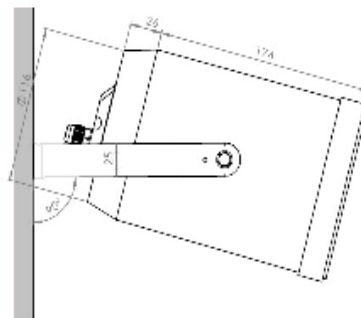
CAD20/T - CAD20/TC  
Side view



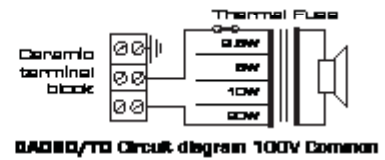
CAD20/EN  
Front view



CAD20/EN  
Side view



Circuit diagrams



IP65  
IP65-BS5839-8

unit : mm