

Public Address - Voice Alarm

Audio Distribution over IP

Commercial Audio

Intelligent Acoustic Solutions

Intercommunication

Loudspeakers



## CAD10/T - CAD10/TC - CAD10T/EN

### Weatherproof Plastic Projector Loudspeakers

#### ELECTRICAL

Rated power, Watts:	10
Tappings 100 volt line, Watts:	10/5/2.5/1.25
Transformer Impedance, Ohms, 100V:	1k/2k/4k/8k
Tappings 70.7 volt line, Watts:	5/2.5/1.25/0.375
Driver impedance, Ohms:	8
Effective frequency range, Hz (BSEN60268-5):	120-18KHz
S.P.L. @ 1m, 1 watt, dB, Test Signal Bandwidth 100 Hz-10 kHz:	90
S.P.L. @ Full power Octave Bandwidth, dB:	100
Acoustic Power (dB-PWL@1 watt) 1k/2kHz, dB:	87/89
Dispersion at 1k/2k Hz, Degrees :	180/120
Directivity Axial Q factor, 1k/2kHz:	2.5 /5.8

#### MECHANICAL

Dimensions, front & depth, mm:	Ø138 x 204
Net Weight, Kgs:	1.3
Colour (Unless Specified):	White RAL9016
Material: ABS Plastic with UV inhibitor and Stainless steel hardware	
Mounting:	Aluminium U or straight bracket



#### CAD10/T - CAD10/TC - CAD10T/EN

The CAD10/T - CAD10/TC - CAD10/EN are weatherproof sound projectors, they offer a combination of style and performance that is hard to match. Manufactured from an ABS moulded component with built-in UVL (ultra violet light) protection, complete with a high quality, plastiflex treated cone.

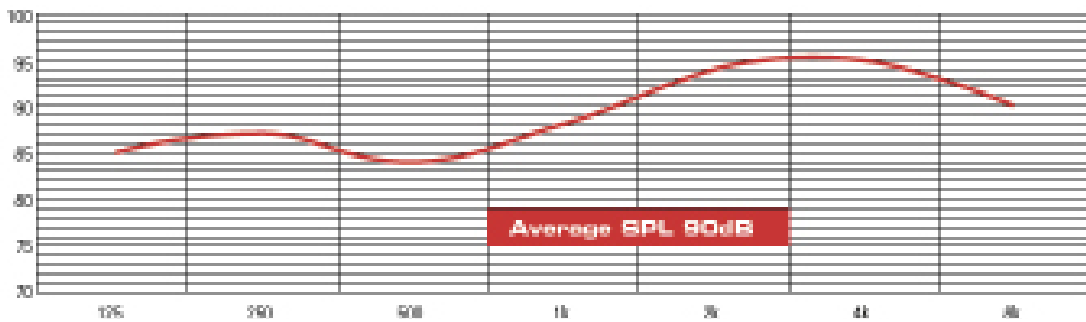
The CAD series speakers come with either an aluminium U or straight bracket for ease of installation. The CAD10/T - CAD10/TC - CAD10/EN rated at 10 watts. Both units are supplied in the same stylish and compact enclosure, ideally suited for speech and music reproduction. With the added advantage of being fully weatherproofed, they are ideal for use on railways, car parks, shopping centres, sports grounds etc.

In compliance with BS5839 part8, the "C" versions incorporate a ceramic terminal and thermal fuse and are, therefore, suitable for use in voice alarm applications

# Projector Loudspeakers-IV

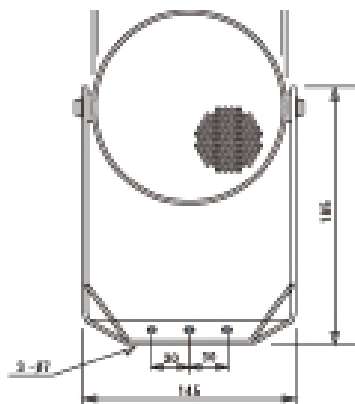
## CAD Series CAD10/T CAD10/TC CAD10/EN

Speech octave band sensitivity

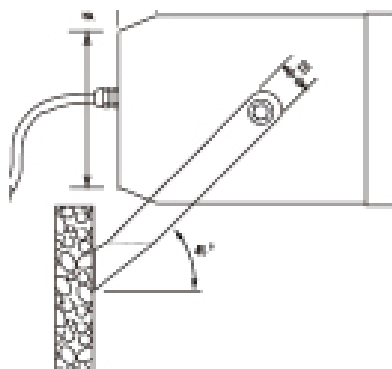


Effective Frequency Range - 120 - 18 kHz

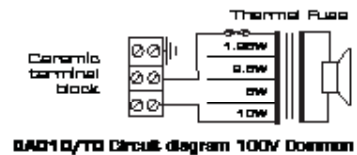
CAD10/T - CAD10/TC  
Front view



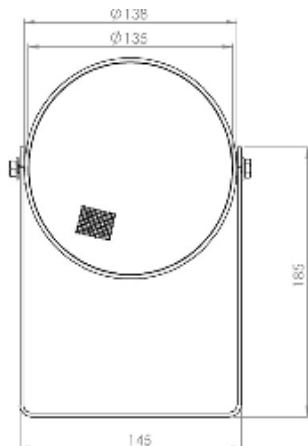
CAD10/T - CAD10/TC  
Side view



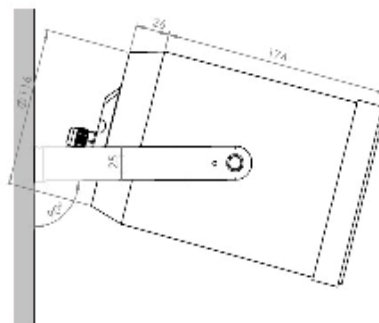
Circuit diagrams



CAD10/EN  
Front view



CAD10/EN  
Side view



IP65  
IP65-BS5839-8

unit : mm