



DELIVERING YOUR MESSAGE

PMC4/T - PMC4T/EN

Water Resistant Moulded Cabinet

MAIN PROPERTIES

Rated power, Watts: 4
Tappings 100 volt line, Watts: 4/2/1/0.5
Transformer Impedance, Ohms, 100V: 2.5k/5k/10k/20k
Tappings 70.7 volt line, Watts: 1.25/2.5/5/10k
Driver impedance, Ohms: 8
Effective frequency range, Hz (BSEN60268-5): 220-11,000
S.P.L. @ 1m, 1 watt, dB, Test Signal Bandwidth 100Hz-10 kHz: 91
S.P.L. @ Full power Octave Bandwidth, dB: 97
Acoustic Power (dB-PWL@1 watt) 1 k/2kHz, dB: 87/91
Dispersion at 1k/2kHz, Degrees: 180/110
Directivity Axial Q factor, 1 k/2kHz 2.2/5.1
Dimensions, front & depth, mm: 119 x 119 x 67.5
Net weight, Kgs: 0.69
Colour/Finish: White RAL9016
Material ABS Plastic with UV inhibitors
Mounting 4 x Screws



PMC4T/EN is BS5839 Part 8 voice alarm compliant

www.ateis-europe.com

ATEIS Europe BV - Sydneystraat 42 - 3047BP ROTTERDAM - NETHERLANDS

Phone +31 (0)10 2088690 - Fax +31 (0)10 2088699

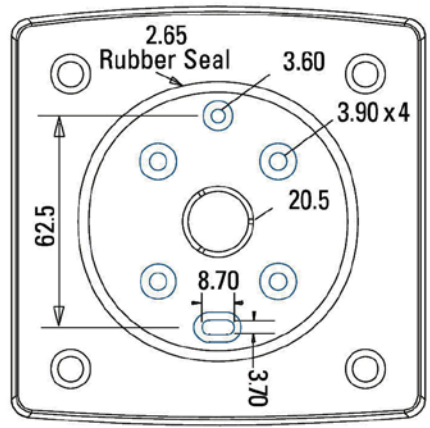


DELIVERING YOUR MESSAGE

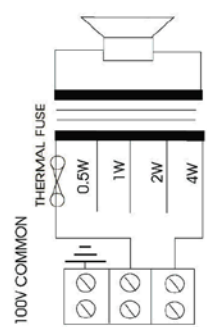
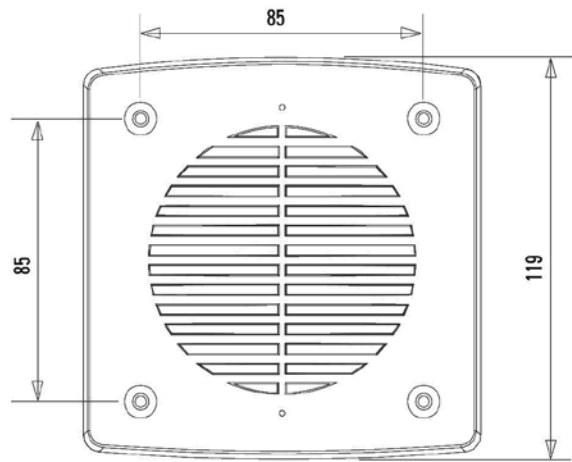
PMC4/T - PMC4T/EN

Water Resistant Moulded Cabinet

rear view unit: mm

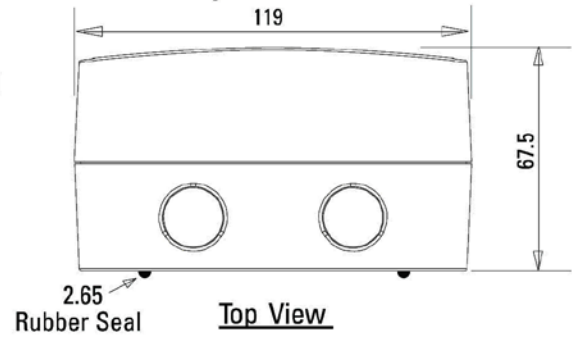


front view unit: mm



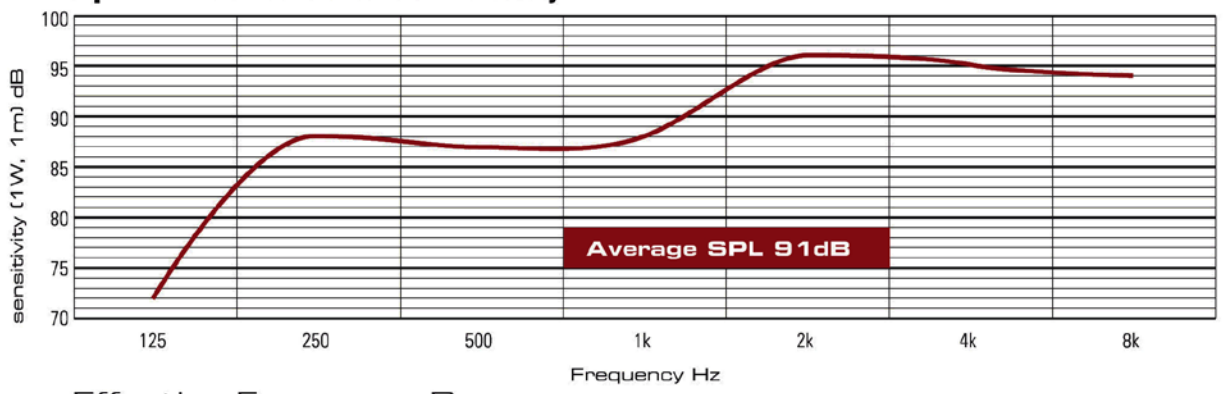
circuit diagram
PMC4/TC

top view unit: mm



2.65 Rubber Seal
Top View

speech octave band sensitivity



Effective Frequency Range ● PMC4/T - PMC4T/EN 220Hz - 11,000Hz

www.ateis-europe.com

ATEIS Europe BV - Sydneystraat 42 - 3047BP ROTTERDAM - NETHERLANDS

Phone +31 (0)10 2088690 - Fax +31 (0)10 2088699