



RCS8/T - RCS8FT/EN

Ceiling Speakers

MAIN PROPERTIES

Rated power, Watts: 10

Tappings 100 volt line, Watts: 10/5/2.5/1.25

Transformer Impedance, Ohms, 100V: 1k/2k/4k/8k

Tappings 70.7 volt line, Watts: 5/2.5/1.25/0.625

Driver impedance, Ohms: 8

Effective frequency range, Hz (BSEN60268-5):

RCS8/T: 65-17KHz RCS8FT/EN: 150-17KHz

S.P.L. @ 1m, 1 watt, dB, Test Signal Bandwidth 100Hz-10 kHz:

RCS8/T: 94 RCS8FT/EN: 93

S.P.L. @ Full power Octave Bandwidth, dB:

RCS8/T: 104 RCS8FT/EN: 103

Acoustic Power (dB-PWL@1 watt) 1 k/2kHz, dB:

RCS8/T: 89/90 RCS8FT/EN: 87/90

Dispersion at 1k/2k Hz, Degrees:

RCS8/T: 180/ 110 RCS8FT/EN: 176/100

Directivity Axial Q factor, 1 k/2kHz:

RCS8/T: 2.7/6.7 RCS8FT/EN: 3.6/7.8

Dimensions, diameter, mm: Ø280

Net weight, Kgs:

RCS8/T: 1.4, RCS8FT/EN: 2.2

Colour/Finish: White RAL9016

Material: Steel

Mounting Torsion springs

Cut-out, mm: RCS8/T: Ø238 RCS8FT/EN: Ø246



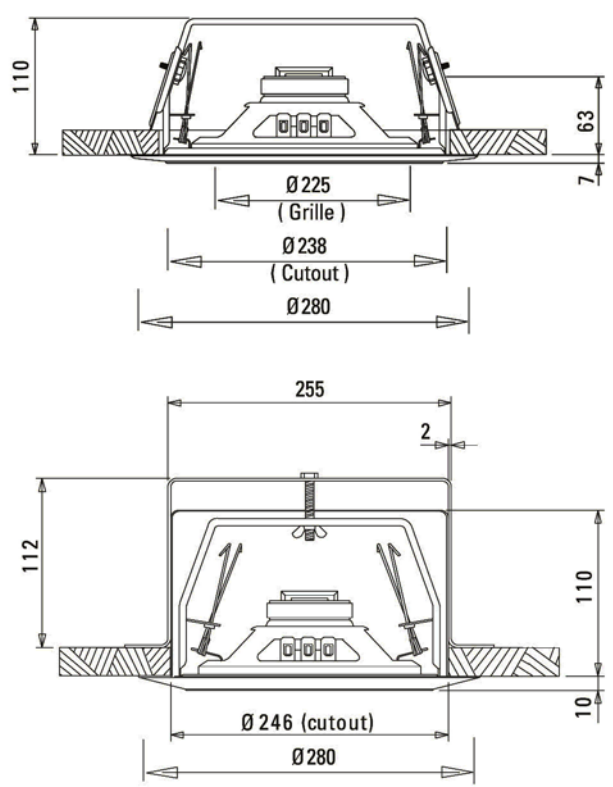
RCS8FT/EN is BS5839 Part 8 compliant



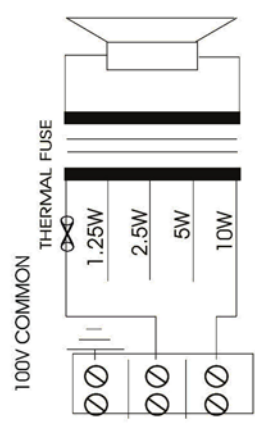
DELIVERING YOUR MESSAGE

RCS8/T - RCS8FT/EN

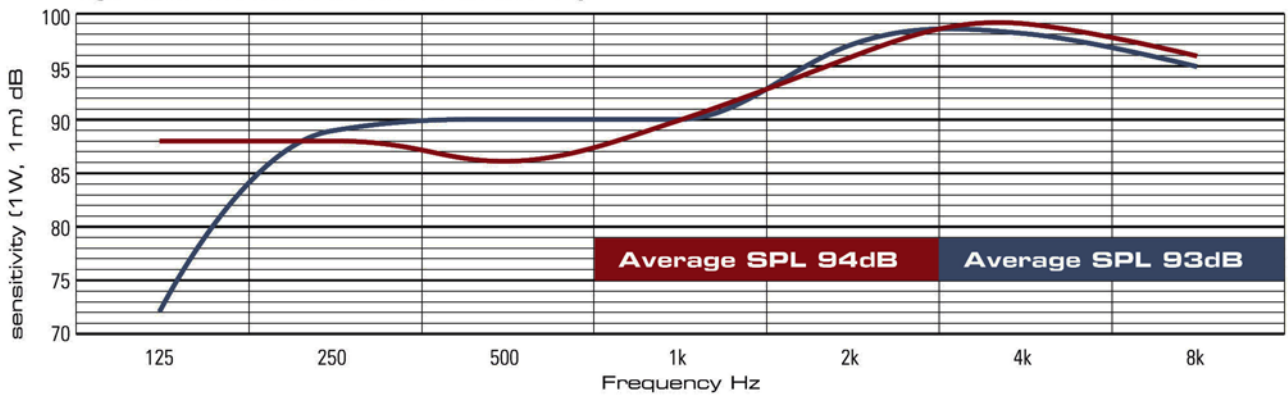
Ceiling Speakers



circuit diagram
RCS8FT/EN



speech octave band sensitivity



Effective Frequency Range

- RCS8/T 65 Hz - 17 KHz
- RCS8FT/EN 150 Hz - 17 KHz