



## RCS8T/COAX

## Ceiling Speakers

## MAIN PROPERTIES

Rated power, Watts: 20

Tappings 100 volt line, Watts: 20/10/5/2.5

Transformer Impedance, Ohms, 100V: 0.5k/1k/2k/4k

Tappings 70.7 volt line, Watts: 10/5/2.5/1.25

Driver impedance, Ohms: 8

Effective frequency range, Hz (BSEN60268-5):

RCS8T/COAX: 60-20KHz

S.P.L. @ 1m, 1 watt, dB, Test Signal Bandwidth 100Hz-10 kHz:

RCS8T/COAX: 91

S.P.L. @ Full power Octave Bandwidth, dB: RCS8T/COAX: 104

Acoustic Power (dB-PWL@1 watt) 1 k/2kHz, dB: RCS8T/COAX: 87/89

Dispersion at 1k/2k Hz, Degrees: RCS8T/COAX: 180/100

Directivity Axial Q factor, 1k/2k Hz: RCS8T/COAX: 3.0 /6.5

Dimensions, diameter, mm: Ø280

Net weight, Kgs: RCS8T/COAX: 1.85/

Colour/Finish: White RAL9016

Material: Steel

Mounting Torsion springs

Cut-out, mm: RCS8T/COAX: Ø238

Dimensions, mm: Height 116, Ø189

Net Weight, Kgs: 1.5

Colour (Unless Specified) RAL9016

Material: Steel

Mounting Torsion springs

Cut-out, mm: Ø164

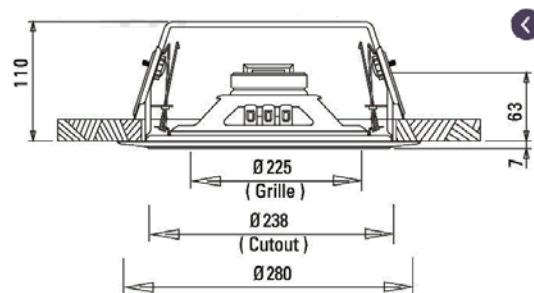




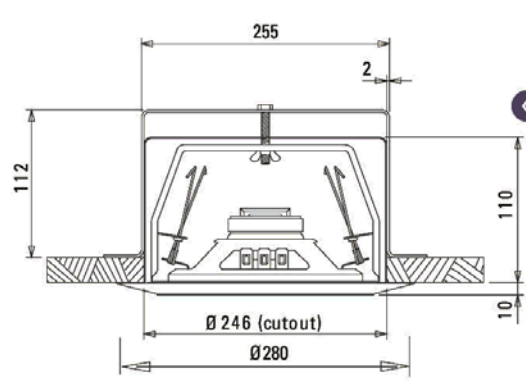
DELIVERING YOUR MESSAGE

# RCS8T/COAX

Ceiling Speakers

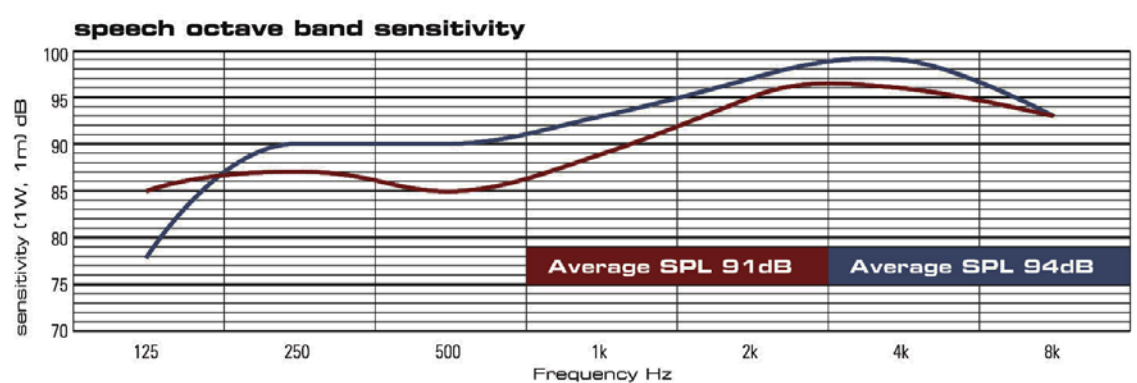
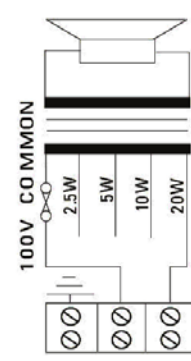


↙ **RCS8T/COAX**  
side view  
unit: **mm**



↙ **RCS8FT/COAX**  
side view  
unit: **mm**

↙ **circuit diagram**  
**RCS8FT/COAX**



Effective Frequency Range

- **RCS8T/COAX** 60 Hz - 20 KHz
- **RCS8FT/COAX** 100 Hz - 20 KHz