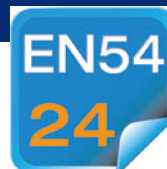




RCS8FTCX/EN

Ceiling Speakers

EN54-24:2008
Certificate No: 0359-CPD-0120 TYPE A



MAIN PROPERTIES

ELECTRICAL

Rated power, Watts: 20
Tappings 100 volt line, Watts: 20/10/5/2.5
Transformer Impedance, Ohms 100V: 0.5k/1k/2k/4k
Tappings 70.7 volt line, Watts: 10/5/2.5/1.25
Driver impedance, Ohms: 8
Effective Frequency Range, Hz (BSEN60268-5): 100 - 20K
S.P.L. @ 4m, 1watt, dB, 1/3 Octave, 1kHz: 66
S.P.L. @ 1m, 1watt, dB, Test Signal Bandwidth 100Hz-10kHz: 94
S.P.L. @ 4m, Full power, dB, 1/3 Octave 1kHz: 79
S.P.L. @ 1m, Full power, Test Signal Bandwidth 100Hz-10kHz: 107
Dispersion at 1k/2k Hz, Degrees: 180/80

ENVIRONMENTAL

IP-Rating: 21
Max/Min Amb Temp: 55°/-10°c
Relative Humidity: ≤95%

MECHANICAL

Dimensions, mm: Height 126, Ø280
Net Weight, Kgs: 2.93
Colour (Unless Specified): RAL9016
Material: Steel
Mounting Torsion Springs
Cut-out, mm: Ø246

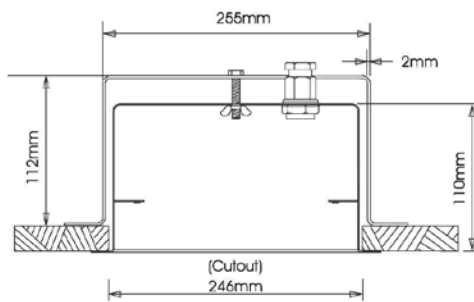
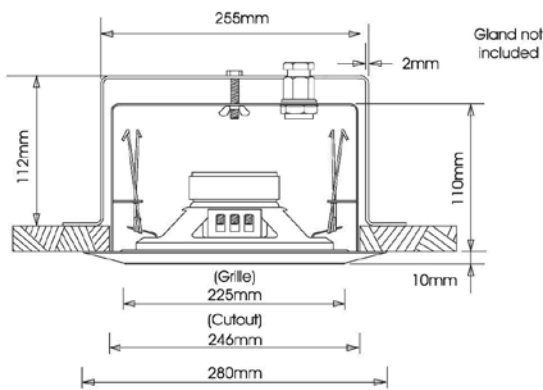




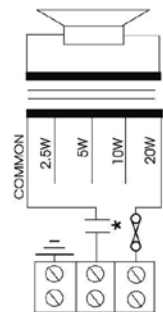
DELIVERING YOUR MESSAGE

RCS8FTCX/EN

Ceiling Speakers



RCS8FTCX/EN & RCS8FTCX/ENC
* unit fitted with Capacitor



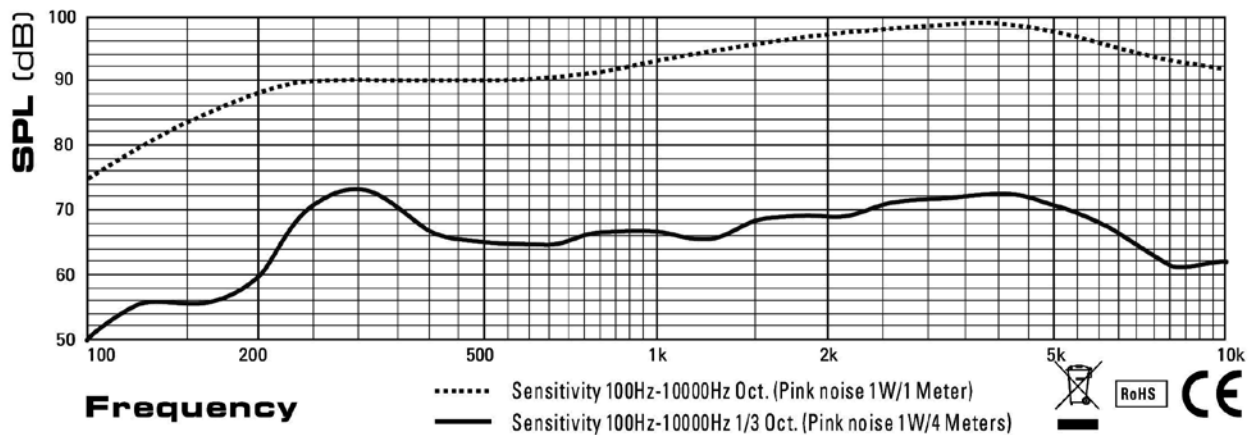
WITH TRANSFORMER: 100V/70V LINE

	WHITE WIRE PLUS TAPPING				BLACK
100V	2.5W	5W	10W	20W	COM
70V	1.25W	2.5W	5W	10W	COM
IMP(Ω)	4K	2K	1K	0.5K	

DISPERSION ANGLES

		HORIZONTAL	VERTICAL
1 OCT. PINK NOISE	500 Hz	180°	180°
1 OCT. PINK NOISE	1K Hz	180°	180°
1 OCT. PINK NOISE	2K Hz	80°	80°
1 OCT. PINK NOISE	4K Hz	60°	60°

FREQUENCY RESPONSE



The RCS8FTCX/EN & ENC have been tested for 100 hours at a maximum power of 20W. Both units did not deviate by more than +/3dB. The frequency response and impedance curves remained constant throughout the test period. All results are in full compliance with the requirements of EN54-24.

www.ateis-europe.com

ATEIS Europe BV - Sydneystraat 42 - 3047BP ROTTERDAM - NETHERLANDS

Phone +31 (0)10 2088690 - Fax +31 (0)10 2088699