



DELIVERING YOUR MESSAGE

RCS6/T

Ceiling Speakers

MAIN PROPERTIES

Rated power, Watts: 6

Tappings 100 volt line, Watts: 6/3/1.5/0.75/0.25

Transformer Impedance, Ohms, 100V: 1.67k/3.33k/6.66k/13.3k/39.9k

Tappings 70.7 volt line, Watts: 3/1.5/0.75/0.375/0.125

Driver impedance, Ohms: 8

Effective frequency range, Hz (BSEN60268-5):
RCS6/T: 65-18.5KHz RCS6FT/EN: 180-18KHz

S.P.L. @ 1m, 1 watt, dB, Test Signal Bandwidth 100Hz-10 kHz :
RCS6/T: 95 RCS6FT/EN: 95

S.P.L. @ Full power Octave Bandwidth, dB:
RCS6/T: 103 RCS6FT/EN: 103

Acoustic Power (dB-PWL@1 watt) 1 k/2kHz, dB:
RCS6/T: 90/92 RCS6FT/EN: 91/92

Dispersion at 1k/2kHz, Degrees:
RCS6/T: 180/110 RCS6FT/EN: 180/120

Directivity Axial Q factor, 1 k/2kHz:
RCS6/T: 2.3/6.1 RCS6FT/EN: 1.9/5.9

Dimensions, diameter, mm: Ø239

Net weight, Kgs:
RCS6/T: 1.2, RCS6FT/EN: 1.5

Colour/Finish White RAL9016

Material Steel

Mounting Torsion springs

Cut-out, mm:
RCS6/T: Ø190 RCS6FT/EN: Ø200

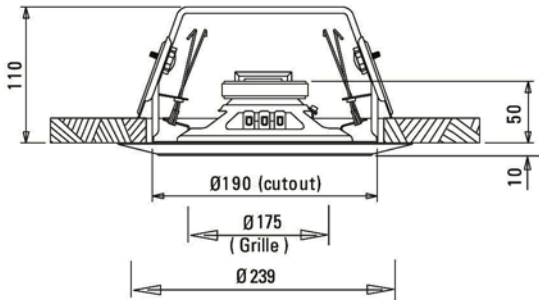


RCS6FT/EN is BS5839 Part 8 voice alarm compliant

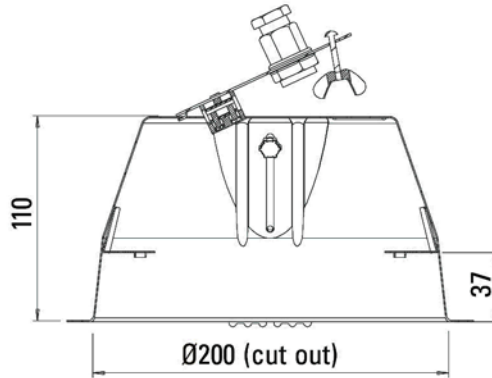
RCS6/T

Ceiling Speakers

RCS6/T
side view
unit: mm

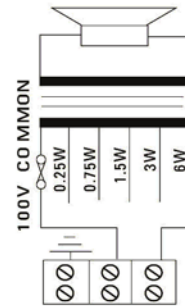


RCS6FT/EN
side view
(gland not supplied)
unit: mm

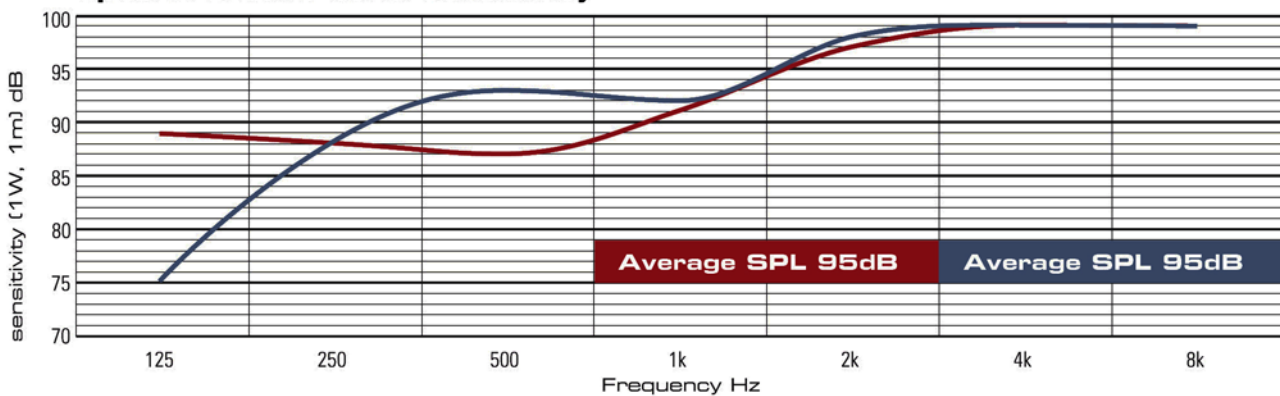


circuit diagram

RCS6FT/EN



speech octave band sensitivity



Effective Frequency Range

- RCS6/T 65 Hz - 18.5 KHz
- RCS6FT/EN 180 Hz - 18 KHz