



## RCS6T/COAX

Ceiling Speakers

## MAIN PROPERTIES

Rated power, Watts: 10

Tappings 100 volt line, Watts: 10/5/2.5/1.25

Transformer Impedance, Ohms, 100V: 1k/2k/4k/8k

Tappings 70.7 volt line, Watts: 5/2.5/1.25/0.625

Driver impedance, Ohms: 8

Effective frequency range, Hz (BSEN60268-5):

RCS6T/COAX: 65-20KHz

S.P.L. @ 1m, 1 watt, dB, Test Signal Bandwidth 100Hz-10kHz:

RCS6T/COAX: 91

S.P.L. @ Full power Octave Bandwidth, dB:

RCS6T/COAX: 101

Acoustic Power (dB-PWL@1 watt) 1k/2kHz, dB:

RCS6T/COAX: 88/89

Dispersion at 1k/2k Hz, Degrees :

RCS6T/COAX: 180/180

Directivity Axial Q factor, 1k/2kHz:

RCS6T/COAX: 2.2 /4.3

Dimensions, diameter, mm: Ø239

Net weight, Kgs:

RCS6T/COAX: 1.4

Colour/Finish: White RAL9016

Material: Steel

Mounting Torsion springs

Cut-out, mm: RCS6T/COAX : Ø190

Dimensions, mm: Height 116, Ø189

Net Weight, Kgs: 1.5

Colour (Unless Specified) RAL9016

Material: Steel

Mounting Torsion springs

Cut-out, mm: Ø164



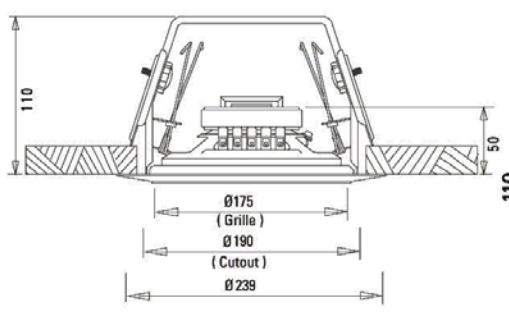


DELIVERING YOUR MESSAGE

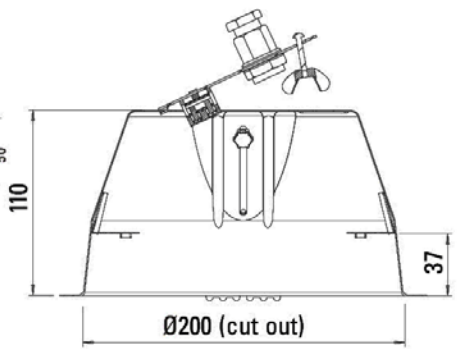
# RCS6T/COAX

Ceiling Speakers

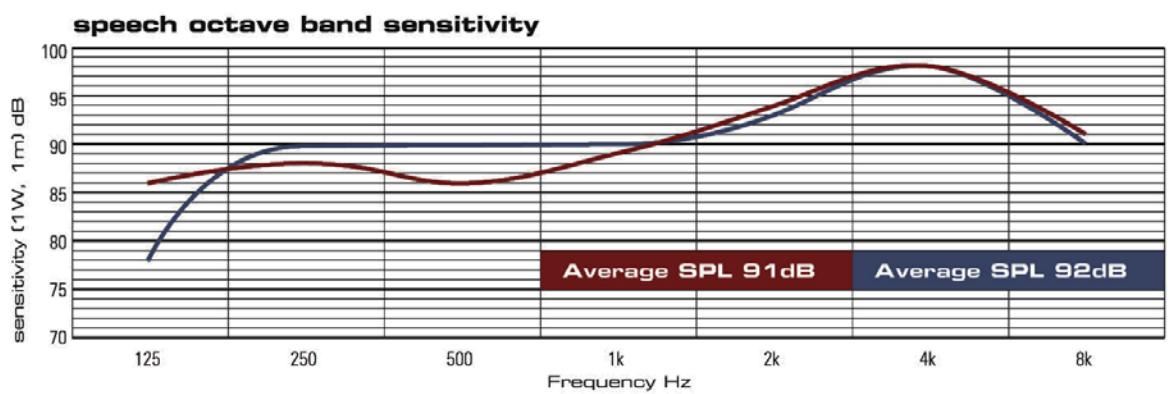
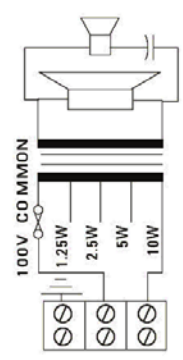
RCS6T/COAX  
side view  
unit: mm



RCS6FT/COAX  
side view  
(gland not supplied)  
unit: mm



✓ circuit diagram  
RCS6FT/COAX



Effective Frequency Range

- RCS6T/COAX 65 Hz - 20 KHz
- RCS6FT/COAX 95 Hz - 20 KHz