

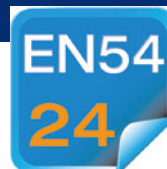


DELIVERING YOUR MESSAGE

## RCS6FT/EN

Ceiling Speakers

EN54-24:2008  
Certificate No: 0359-CPD-0120 TYPE A



### MAIN PROPERTIES

#### ELECTRICAL

Rated power, Watts: 6

Tappings 100 volt line, Watts: 6/3/1.5/0.75/0.25

Transformer Impedance, Ohms 100V: 1.67k/3.33k/6.66k/13.3k/39.9k

Tappings 70.7 volt line, Watts: 3/1.5/0.75/0.375/0.125

Driver impedance, Ohms: 8

Effective Frequency Range, Hz (BSEN60268-5): 180 - 18K

S.P.L. @ 4m, 1watt, dB, 1/3 Octave, 1kHz: 65

S.P.L. @ 1m, 1watt, dB, Test Signal Bandwidth 100Hz-10kHz: 95

S.P.L. @ 4m, Full power, dB, 1/3 Octave 1kHz: 82

S.P.L. @ 1m, Full power, Test Signal Bandwidth 100Hz-10kHz: 102

Dispersion at 1k/2k Hz, Degrees: 180/180

#### ENVIRONMENTAL

IP-Rating 21

Max/Min Amb Temp 55°/-10°C

Relative Humidity ≤95%

#### MECHANICAL

Dimensions, mm: Height 120, Ø239

Net Weight, Kgs: 1.5

Colour (Unless Specified) RAL9016

Material: Steel

Mounting Torsion springs

Cut-out, mm: Ø200



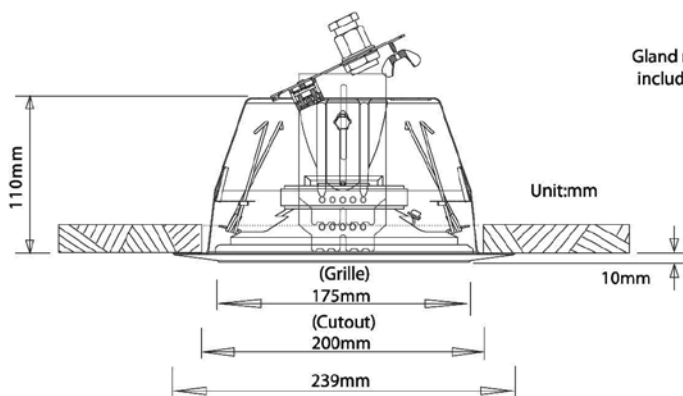
[www.ateis-europe.com](http://www.ateis-europe.com)

ATEIS Europe BV - Sydneystraat 42 - 3047BP ROTTERDAM - NETHERLANDS

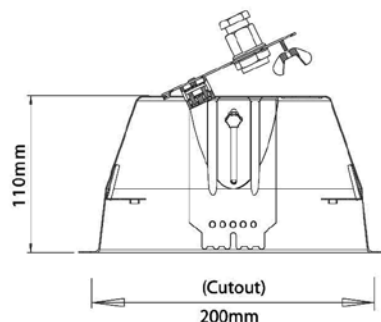
Phone +31 (0)10 2088690 - Fax +31 (0)10 2088699

## RCS6FT/EN

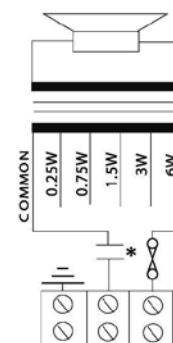
### Ceiling Speakers



Gland not included



RCS6FT/EN & RCS6FT/ENC  
\* unit fitted with Capacitor



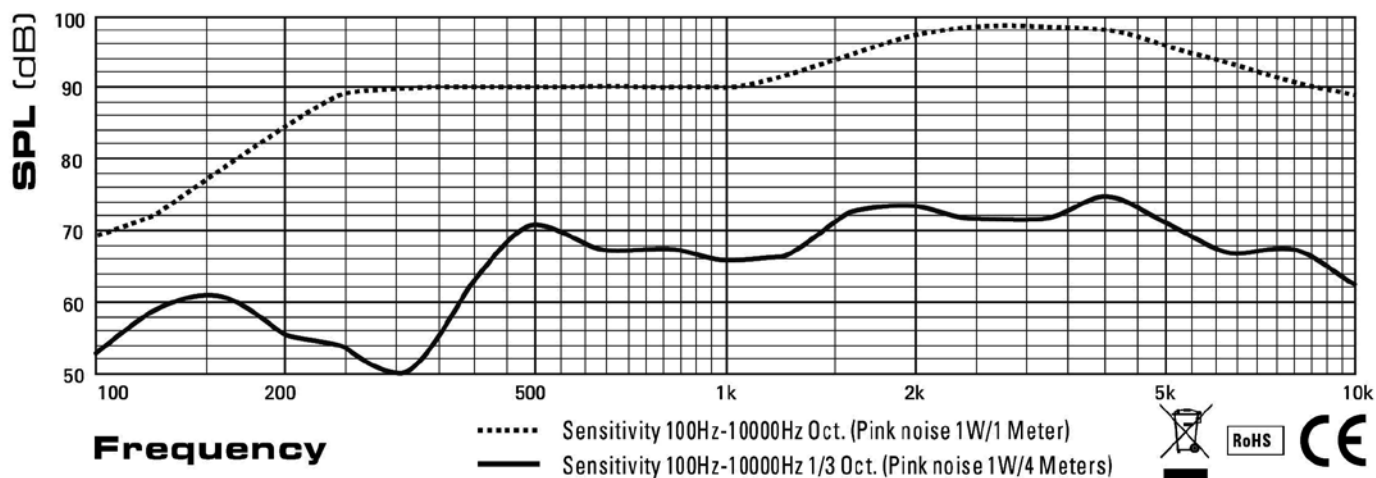
### WITH TRANSFORMER: 100V/70V LINE

	WHITE WIRE PLUS TAPPING					BLACK
100V	0.25W	0.75W	1.5W	3W	6W	COM
70V	0.125W	0.375W	0.75W	1.5W	3W	COM
IMP(Ω)	39.9K	13.3K	6.66K	3.33K	1.67K	

### DISPERSION ANGLES

		HORIZONTAL	VERTICAL
<b>1 OCT.PINK NOISE</b>	500 Hz	180°	180°
<b>1 OCT.PINK NOISE</b>	1K Hz	180°	180°
<b>1 OCT.PINK NOISE</b>	2K Hz	180°	180°
<b>1 OCT.PINK NOISE</b>	4K Hz	70°	70°

### FREQUENCY RESPONSE



The RCS6FT/EN & ENC have been tested for 100 hours at a maximum power of 6W. Both units did not deviate by more than +/- 3dB. The frequency response and impedance curves remained constant throughout the test period. All results are in full compliance with the requirements of EN54-24.