



DELIVERING YOUR MESSAGE

## RCS5/T - RCS5FT/EN

Ceiling Speakers

### MAIN PROPERTIES

Rated power, Watts: 6

Tappings 100 volt line, Watts: 6/3/1.5/0.75/0.25

Transformer Impedance, Ohms, 100V: 1.67k/3.33k/6.66k/13.3k/39.9k

Tappings 70.7 volt line, Watts: 3/1.5/0.75/0.375/0.125

Driver impedance, Ohms: 8

Effective frequency range, Hz (BSEN60268-5):  
RCS5T: 70-17.5KHz RCS5FT/EN: 150-18KHz

S.P.L. @ 1m, 1 watt, dB, Test Signal Bandwidth 100Hz-10 kHz:  
RCS5T: 94 RCS5FT/EN: 95

S.P.L. @ Full power Octave Bandwidth, dB:  
RCS5T: 102 RCS5FT/EN: 102

Acoustic Power (dB-PWL@1 watt) 1 k/2kHz, dB:  
RCS5T: 91/92 RCS5FT/EN: 92/93

Dispersion at 1k/2k Hz, Degrees:  
RCS5T: 180/180 RCS5FT/EN: 180/180

Directivity Axial Q factor, 1k/2kHz:  
RCS5T: 2.3/4.6 RCS5FT/EN: 2.1/6.0

Dimensions, diameter, mm: Ø189

Net weight, Kgs: RCS5/T: 1.0 RCS5/FTS: 1.3

Colour/Finish White: RAL9016

Material: Steel

Mounting Torsion springs

Cut-out, mm RCS5T: Ø160 RCS5FT/EN: Ø164

Dimensions, mm: Height 101, Ø132

Net Weight, Kgs: 0.92

Colour (Unless Specified) RAL9016

Material: Steel

Mounting Fixing Springs x 4 (stainless steel)

Cut-out, mm: Ø119



[www.ateis-europe.com](http://www.ateis-europe.com)

ATEIS Europe BV - Sydneystraat 42 - 3047BP ROTTERDAM - NETHERLANDS

Phone +31 (0)10 2088690 - Fax +31 (0)10 2088699



DELIVERING YOUR MESSAGE

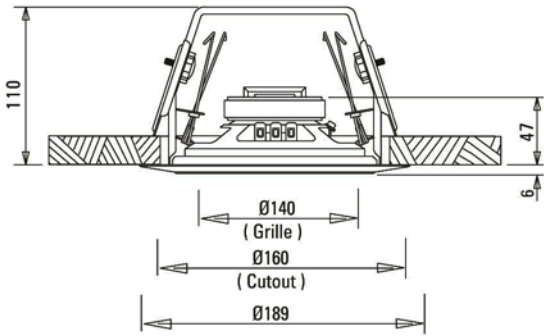
## RCS5/T - RCS5FT/EN

Ceiling Speakers

RCS5/T

side view

unit: **mm**

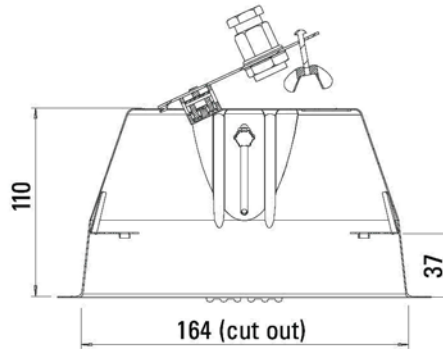


RCS5FT/EN

side view

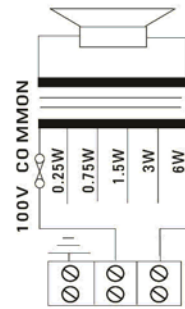
(gland not supplied)

unit: **mm**

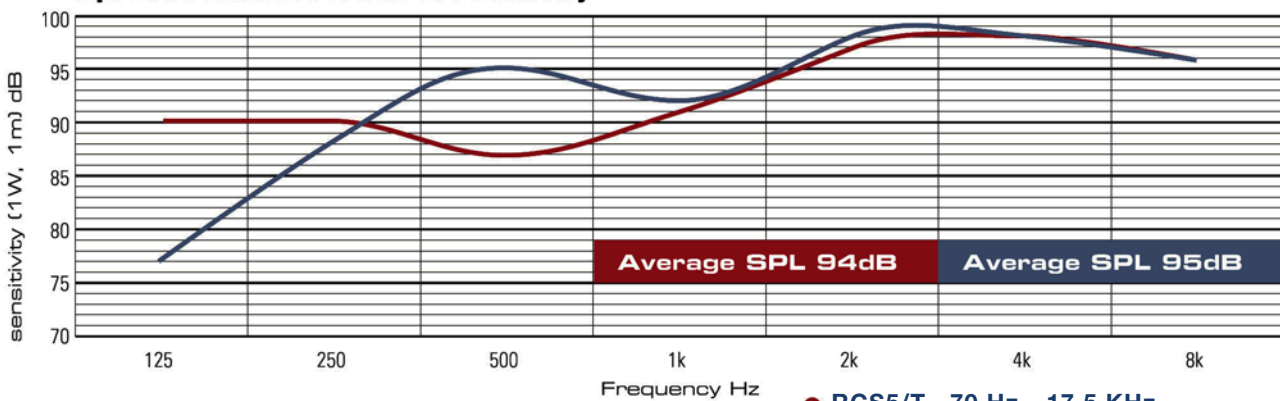


circuit diagram

RCS5FT/EN



### speech octave band sensitivity



Effective Frequency Range

- ① RCS5/T 70 Hz - 17.5 KHz
- ② RCS5FT/EN 150 Hz - 18 KHz