



DELIVERING YOUR MESSAGE

RCS5/TCOAX

Ceiling Speakers

EN54-24:2008
Certificate No: 0359-CPD-0120 TYPE A



MAIN PROPERTIES

Rated power, Watts: 10
Tappings 100 volt line, Watts: 10/5/2.5/1.25
Transformer Impedance, Ohms, 100V: 1k/2k/4k/8k
Tappings 70.7 volt line, Watts: 5/2.5/1.25/0.625
Driver impedance, Ohms: 8
Effective frequency range, Hz (BSEN60268-5): RCS5/TCOAX: 70~18.5KHz
S.P.L. @ 1m, 1 watt, dB, Test Signal Bandwidth 100 Hz-10 kHz: RCS5/TCOAX: 91
S.P.L. @ Full power Octave Bandwidth, dB: RCS5/TCOAX: 101
Acoustic Power (dB-PWL@1 watt) 1 k/2kHz, dB: RCS5/TCOAX: 88/88
Dispersion at 1k/2kHz, Degrees: RCS5/TCOAX: 180/180
Directivity Axial Q factor, 1k/2kHz: RCS5/TCOAX: 2.1/4.0
Dimensions, diameter, mm: Ø189
Net weight, Kgs RCS5/TCOAX: 1.2
Colour/Finish: White RAL9016
Material: Steel
Mounting Torsion springs
Cut-out, mm RCS5/TCOAX: Ø160
Dimensions, mm: Height 116, Ø189
Net Weight, Kgs: 1.5
Colour (Unless Specified): RAL9016
Material: Steel
Mounting Torsion springs
Cut-out, mm: Ø164



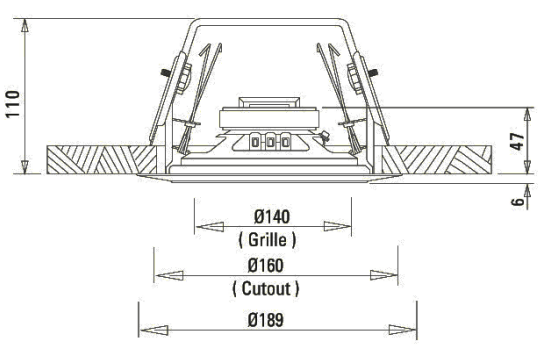


DELIVERING YOUR MESSAGE

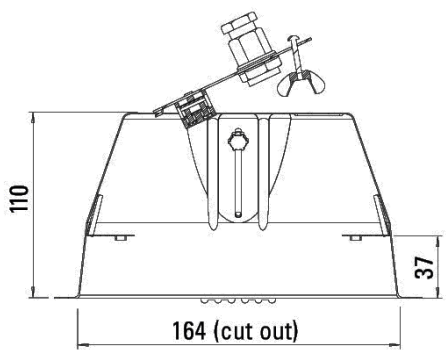
RCS5/TCOAX

Ceiling Speakers

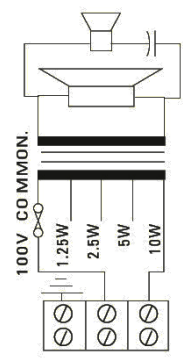
RCS5/TCOAX
side view
unit: **mm**



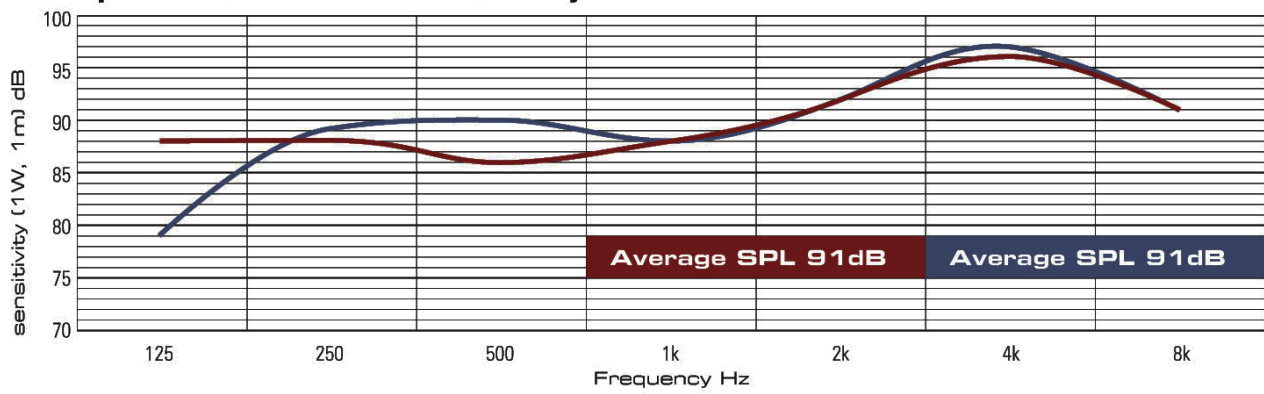
RCS5T/COAX
side view
(gland not supplied)
unit: **mm**



▼ **circuit diagram**
RCS5FT/EN



speech octave band sensitivity



Effective Frequency Range

RCS5/TCOAX 70 Hz - 18.5 KHz