



RCS 8FT/ENC SPECIFICATIONS



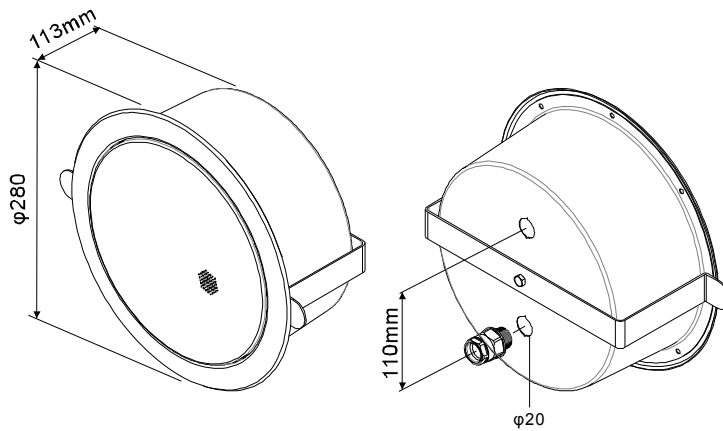
RoHS



ATEIS EUROPE B.V.

Website: www.ateis-international.com

Sydneystraat 42, ROTTERDAM, 3047 BP, Netherlands. Tel: 31-10-2088690



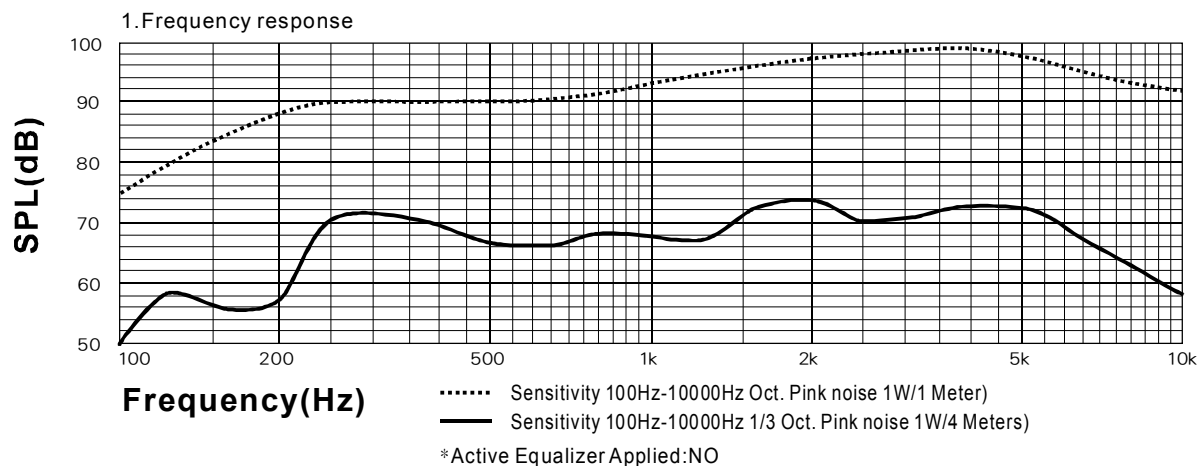
EN54-24:2008
0359-CPD-0137
TYPE A

With Transformer:

100V/70V line

	White wire plus tapping				Black
100V	1.25W	2.5W	5W	10W	COM
70V	0.625W	1.25W	2.5W	5W	COM
IMP.(Ω)	8K	4K	2K	1K	

Technical Specifications



2. Horizontal coverage angles = Vertical angles

		Horizontal	Vertical
1 Oct. Pink noise	500 Hz	180°	180°
1 Oct. Pink noise	1K Hz	180°	180°
1 Oct. Pink noise	2K Hz	80°	80°
1 Oct. Pink noise	4K Hz	60°	60°

3. Environmental

IP-rating.....21
 Max/Min amb temp.....55 °C / - 10 °C
 Relative humidity.....≤95%

4. Electrical

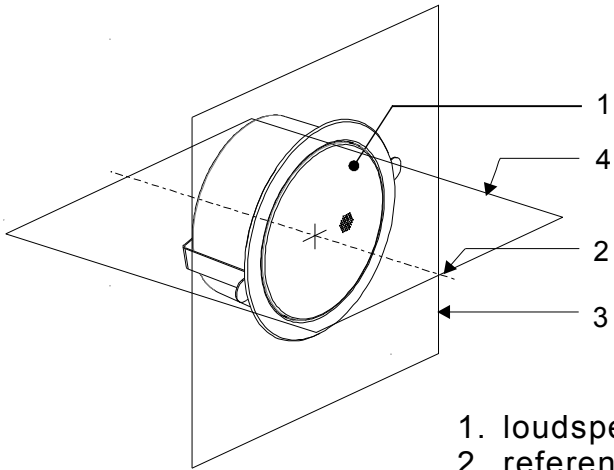
Rated power, Watts 10
 Tappings 100 volt line, Watts 10/5/2.5/1.25
 Transformer Impedance , Ohms 100V 1k/2k/4k/8k
 Tappings 70.7 volt line, Watts 5/2.5/1.25/0.625
 Driver impedance, Ohms 8
 Effective Frequency Range, Hz (BSEN60268-5) 150 - 17K
 S.P.L. @ 4m, 1watt, dB, 1/3 Octave, 1KHz 67
 S.P.L. @ 1m, 1watt, dB, Octave 1KHz 93
 S.P.L. @ 4m, Full power, dB, 1/3 Octave 1KHz 77
 S.P.L. @ 1m, Full power, Octave 1KHz 103

5. Mechanical

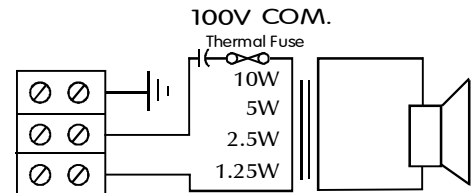
Dimensions φ280mm
 Net weight, Kgs 2.2
 Colour (Unless Specified) RAL9016
 Material Steel
 Mounting Torsion springs
 Cut-out, mm φ246

RCS 8FT/ENC has been tested in 100 hours max power (10W). The model does not deviate more than ± 3dB from the original test value. The freq. response curve and impedance complies with the original one. All SPL tests are preformed in a anechoic chamber (<70m/3).

➤ RCS 8FT/ENC INSTALLATION GUIDE

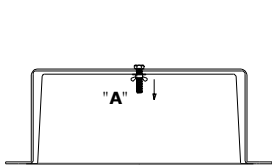


1. loudspeaker enclosure
2. reference axis
3. reference plane
4. horizontal plane

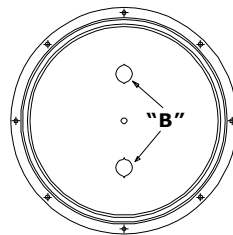
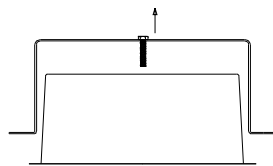


Circuit Diagram

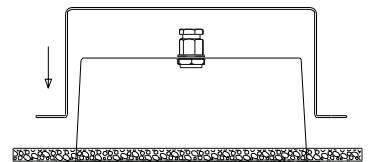
RCS 8FT/ENC



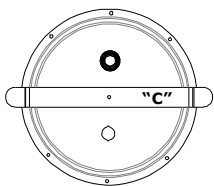
- 1/ Loosen wingnut "A". (You have to remove the wingnut and washer completely.)
- 2/ Lift the screw and bracket, this will disengage.



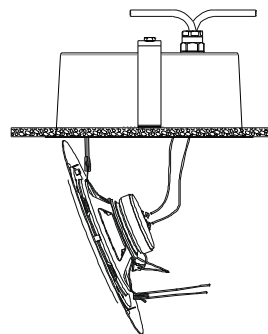
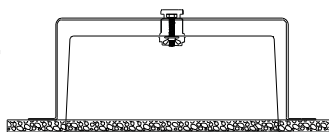
- 3/ Choose one of them @ "B" to punch.
- 4/ Gland assembly in the hole.



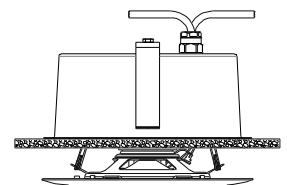
- 5/ Fitting the Dome into a ceiling(246mm).
- 6/ Put the Bracket over the ceiling.



- 7/ Be sure the Bracket between Gland and close hole.
- 8/ Re fit Screw and washer and tighten wingnut @ "C".



- 9/ Fitting the speaker.
Compress one of "V" spring and fit in to the retaining ear within the dome.
Connect leads to the speaker transformer.



- 10/ Fit second "V" spring in to second retaining ear and gently push the speaker up into the dome.
(do not push the central perforate grille area)
the speaker will self-locate into the dome.