

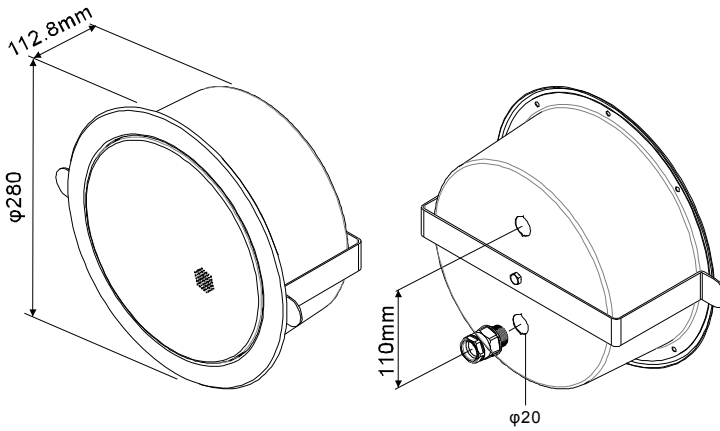


RCS 8FTCX/ENC SPECIFICATIONS

ATEIS EUROPE B.V. Website: www.ateis-international.com
 Sydneystraat 42, ROTTERDAM, 3047 BP, Netherlands. Tel: 31-10-2088690



RoHS



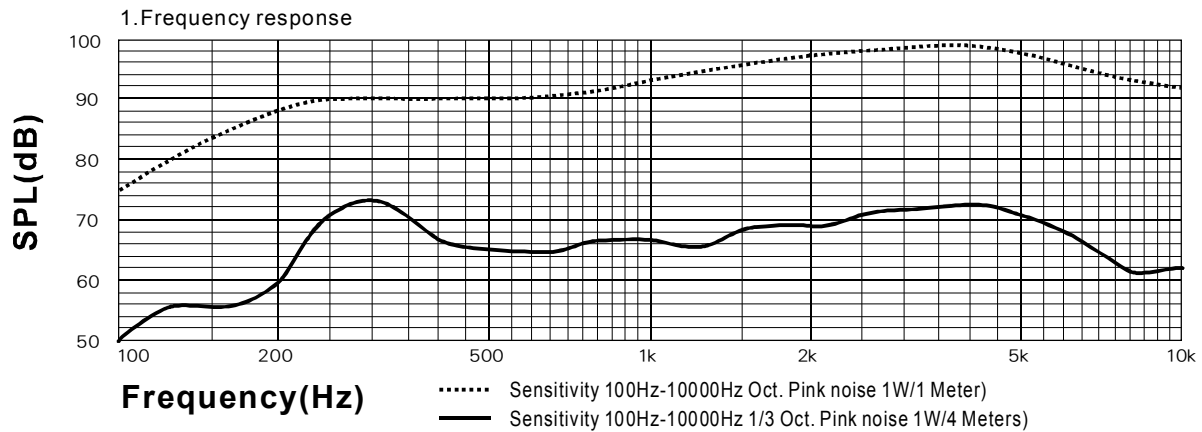
EN54-24:2008
0359-CPD-0137
TYPE A

With Transformer:

100V/70V line

| | White wire plus tapping | | | | Black |
|---------|-------------------------|------|-----|------|-------|
| 100V | 2.5W | 5W | 10W | 20W | COM |
| 70V | 1.25W | 2.5W | 5W | 10W | COM |
| IMP.(Ω) | 4K | 2K | 1K | 0.5K | |

Technical Specifications



2. Horizontal coverage angles = Vertical angles

| | | Horizontal | Vertical |
|-------------------|--------|------------|----------|
| 1 Oct. Pink noise | 500 Hz | 180° | 180° |
| 1 Oct. Pink noise | 1K Hz | 180° | 180° |
| 1 Oct. Pink noise | 2K Hz | 80° | 80° |
| 1 Oct. Pink noise | 4K Hz | 60° | 60° |

3. Environmental

IP-rating.....21
 Max/Min amb temp.....55 °C / - 10 °C
 Relative humidity.....≤95%

4. Electrical

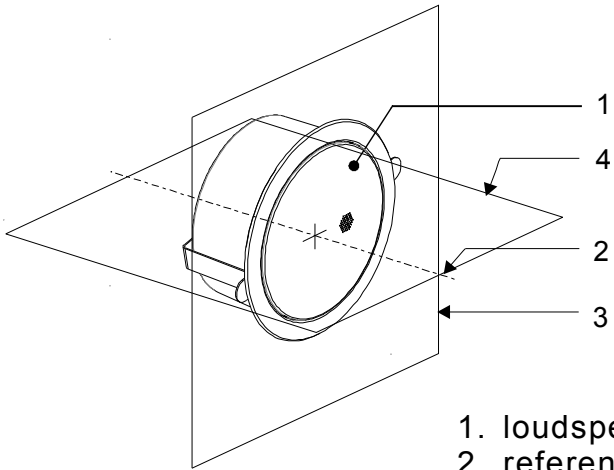
Rated power, Watts 20
 Tappings 100 volt line, Watts 20/10/5/2.5
 Transformer Impedance , Ohms 100V 0.5/1k/2k/4k
 Tappings 70.7 volt line, Watts 10/5/2.5/1.25
 Driver impedance, Ohms 8
 Effective Frequency Range, Hz (BSEN60268-5) 100 - 20K
 S.P.L. @ 4m, 1watt, dB, 1/3 Octave, 1KHz 66
 S.P.L. @ 1m, 1watt, dB, Octave 1KHz 94
 S.P.L. @ 4m, Full power, dB, 1/3 Octave 1KHz 79
 S.P.L. @ 1m, Full power, Octave 1KHz 107

5. Mechanical

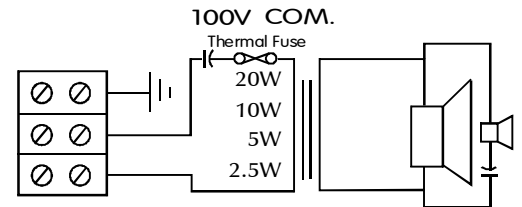
Dimensions φ280mm
 Net weight, Kgs 2.93
 Colour (Unless Specified) RAL9016
 Material Steel
 Mounting Torsion springs
 Cut-out, mm φ246

RCS 8FTCX/EN has been tested in 100 hours max power (20W). The model does not deviate more than ± 3dB from the original test value. The freq. response curve and impedance complies with the original one. All SPL tests are preformed in a anechoic chamber (<70m/3).

RCS 8FTCX/ENC INSTALLATION GUIDE

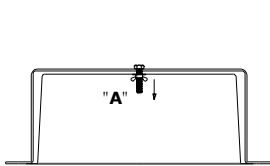


1. loudspeaker enclosure
2. reference axis
3. reference plane
4. horizontal plane

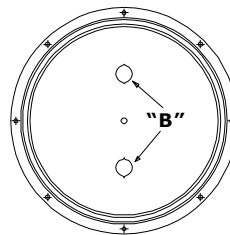
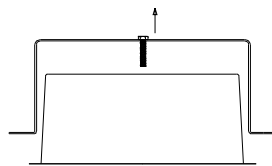


Circuit Diagram

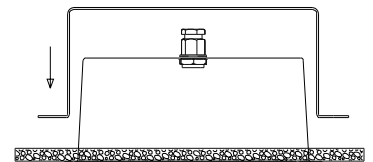
RCS 8FTCX/ENC



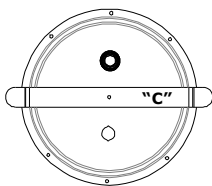
- 1/ Loosen wingnut "A". (You have to remove the wingnut and washer completely.)
- 2/ Lift the screw and bracket, this will disengage.



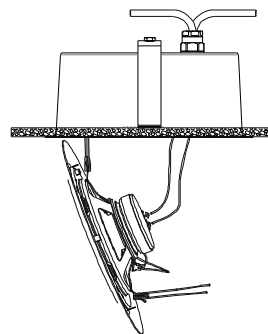
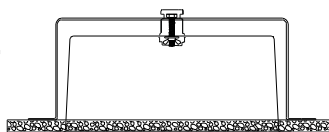
- 3/ Choose one of them @ "B" to punch.
- 4/ Gland assembly in the hole.



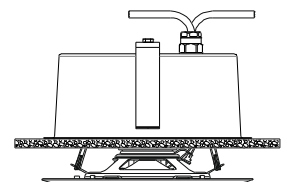
- 5/ Fitting the Dome into a ceiling(246mm).
- 6/ Put the Bracket over the ceiling.



- 7/ Be sure the Bracket between Gland and close hole.
- 8/ Re fit Screw and washer and tighten wingnut @ "C".



- 9/ Fitting the speaker.
Compress one of "V" spring and fit in to the retaining ear within the dome.
Connect leads to the speaker transformer.



- 10/ Fit second "V" spring in to second retaining ear and gently push the speaker up into the dome.
(do not push the central perforate grille area)
the speaker will self-locate into the dome.