



RCS 6FTCX/EN SPECIFICATIONS

ATEIS EUROPE B.V. Website: www.ateis-international.com
 Sydneystraat 42, ROTTERDAM, 3047 BP, Netherlands. Tel: 31-10-2088690



RoHS

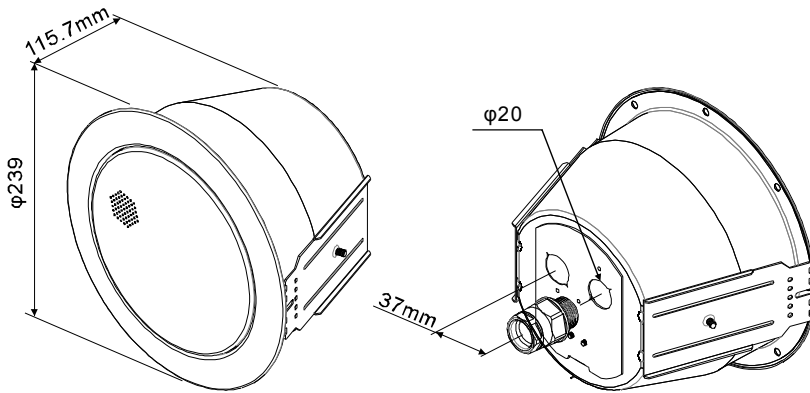


EN54-24:2008
0359-CPD-0137
TYPE A

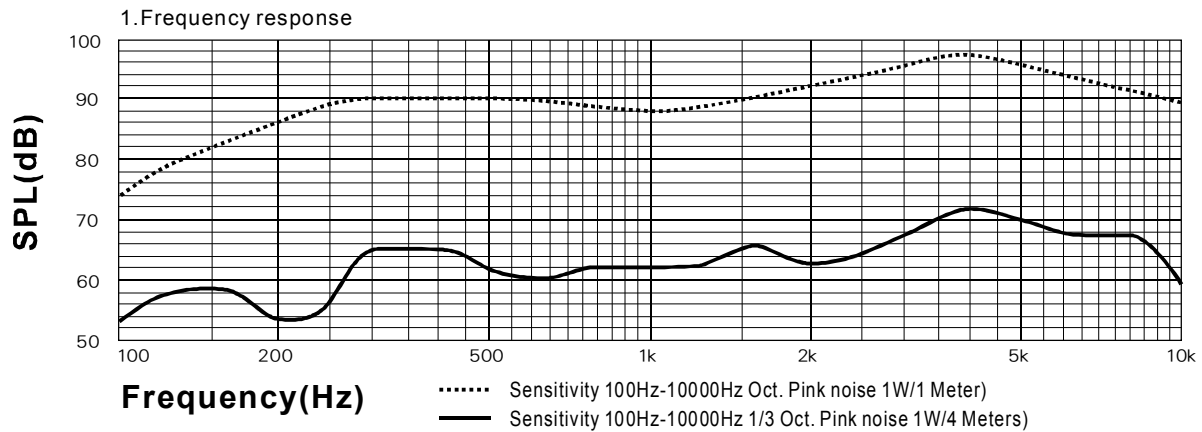
With Transformer:

100V/70V line

	White wire plus tapping				Black
100V	1.25W	2.5W	5W	10W	COM
70V	0.625W	1.25W	2.5W	5W	COM
IMP.(Ω)	8K	4K	2K	1K	



Technical Specifications



2. Horizontal coverage angles = Vertical angles

		Horizontal	Vertical
1 Oct. Pink noise	500 Hz	180°	180°
1 Oct. Pink noise	1K Hz	180°	180°
1 Oct. Pink noise	2K Hz	180°	180°
1 Oct. Pink noise	4K Hz	60°	60°

3. Environmental

IP-rating.....21
 Max/Min amb temp.....55 °C / - 10 °C
 Relative humidity.....≤95%

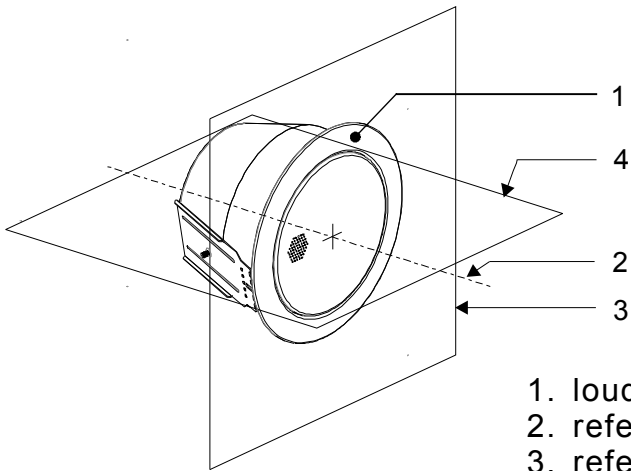
4. Electrical

Rated power, Watts 10
 Tappings 100 volt line, Watts 10/5/2.5/1.25
 Transformer Impedance , Ohms 100V 1k/2k/4k/8k
 Tappings 70.7 volt line, Watts 5/2.5/1.25/0.625
 Driver impedance, Ohms 8
 Effective Frequency Range, Hz (BSEN60268-5) 130 - 18.5K
 S.P.L. @ 4m, 1watt, dB, 1/3 Octave, 1KHz 62
 S.P.L. @ 1m, 1watt, dB, Octave 1KHz 91
 S.P.L. @ 4m, Full power, dB, 1/3 Octave 1KHz 72
 S.P.L. @ 1m, Full power, Octave 1KHz 101

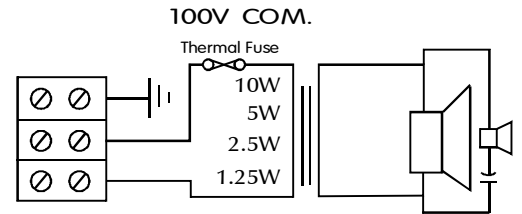
5. Mechanical

Dimensions φ239mm
 Net weight, Kgs 1.5
 Colour (Unless Specified) RAL9016
 Material Steel
 Mounting Torsion springs
 Cut-out, mm φ200

RCS 6FTCX/EN has been tested in 100 hours max power (10W). The model does not deviate more than ± 3dB from the original test value. The freq. response curve and impedance complies with the original one. All SPL tests are preformed in a anechoic chamber (<70m/3).

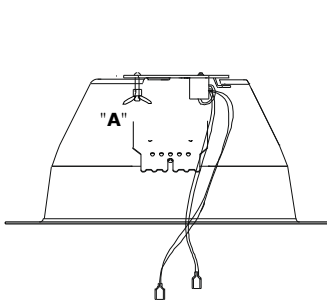


- 1. loudspeaker enclosure
- 2. reference axis
- 3. reference plane
- 4. horizontal plane

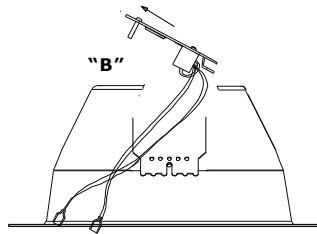


Circuit Diagram

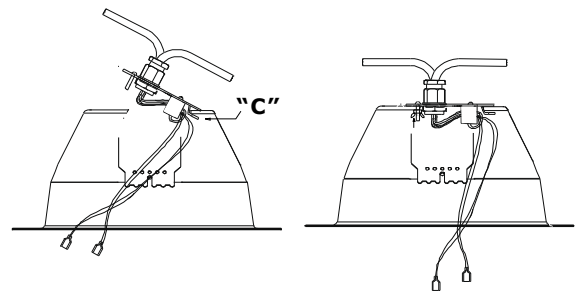
**RCS 5FTCX/EN
RCS 6FTCX/EN**



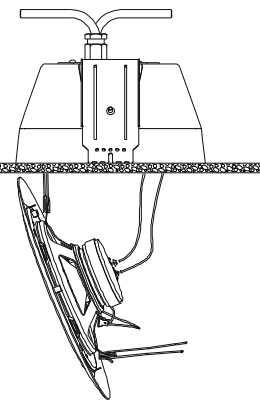
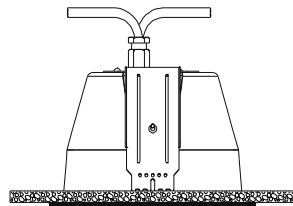
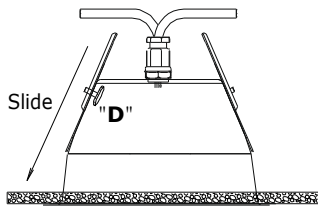
- 1/ Loosen wingnut "A".
(you have to remove the wing nut completely)



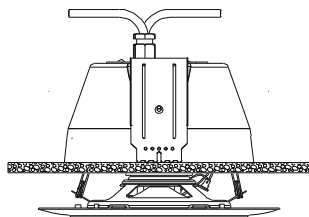
- 2/ Lift the plate slightly @ "B", this will disengage the whole Plate.



- 3/ Wire plate.
4/ Tilt the Plate and re fit it.
5/ Be sure you push and slide the retaining clip "C" to the most closely.
6/ Tighten wing nut.



- 9/ Fitting the Speaker.
Compress one of "V" spring and fit in to the retaining ear within the dome.
Connect leads to the speaker transformer.



- 10/ Fit second "V" spring in to second retaining ear and gently push the speaker up into the dome. (do not push the central perforated grille area) the Speaker will self-locate into the dome.