

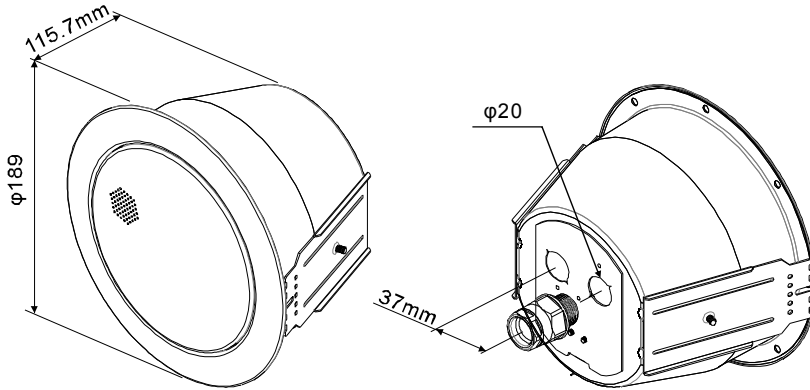


RCS 5FT/ENC SPECIFICATIONS

ATEIS EUROPE B.V. Website: www.ateis-international.com
 Sydneystraat 42, ROTTERDAM, 3047 BP, Netherlands. Tel: 31-10-2088690



RoHS



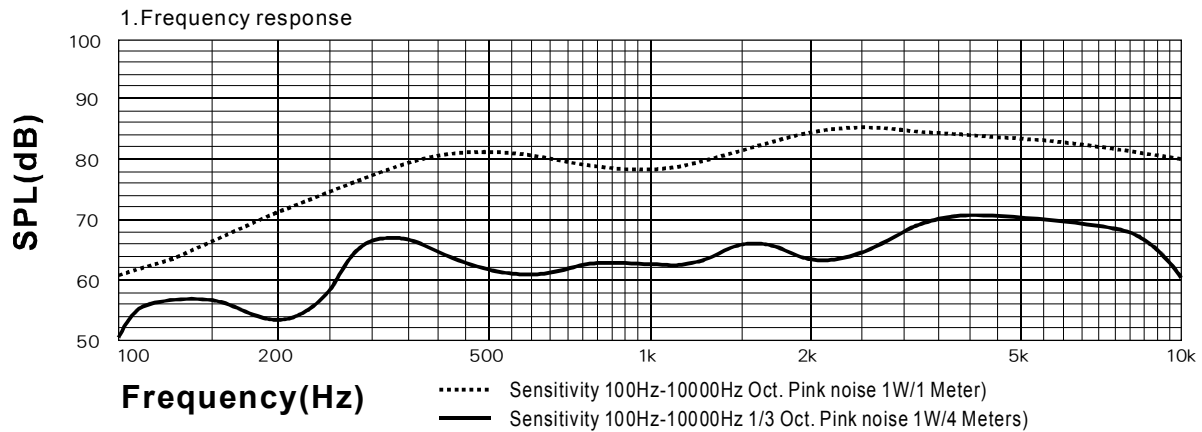
EN54-24:2008
0359-CPD-0137
TYPE A

With Transformer:

100V/70V line

	White wire plus tapping					Black
100V	0.25W	0.75W	1.5W	3W	6W	COM
70V	0.125W	0.375W	0.75W	1.5W	3W	COM
IMP.(Ω)	39.9K	13.3K	6.67K	3.33K	1.67K	

Technical Specifications



2. Horizontal coverage angles = Vertical angles

		Horizontal	Vertical
1 Oct. Pink noise	500 Hz	180°	180°
1 Oct. Pink noise	1K Hz	180°	180°
1 Oct. Pink noise	2K Hz	120°	120°
1 Oct. Pink noise	4K Hz	80°	80°

3. Environmental

IP-rating.....21
 Max/Min amb temp.....55 °C / - 10 °C
 Relative humidity.....≤95%

4. Electrical

Rated power, Watts 6
 Tappings 100 volt line, Watts 6/3/1.5/0.75/0.25
 Transformer Impedance, Ohms 100V 1.67k/3.33k/6.67k/13.3k/39.9k
 Tappings 70.7 volt line, Watts 3/1.5/0.75/0.375/0.125
 Driver impedance, Ohms 8
 Effective Frequency Range, Hz (BSEN60268-5) 150 - 18K
 S.P.L. @ 4m, 1watt, dB, 1/3 Octave, 1KHz 65
 S.P.L. @ 1m, 1watt, dB, Octave 1KHz 94
 S.P.L. @ 4m, Full power, dB, 1/3 Octave 1KHz 72
 S.P.L. @ 1m, Full power, Octave 1KHz 102

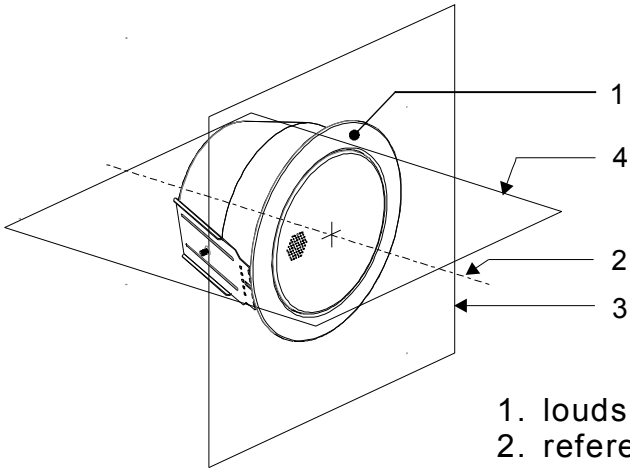
5. Mechanical

Dimensions φ189mm
 Net weight, Kgs 1.3
 Colour (Unless Specified) RAL9016
 Material Steel
 Mounting Torsion springs
 Cut-out, mm φ164

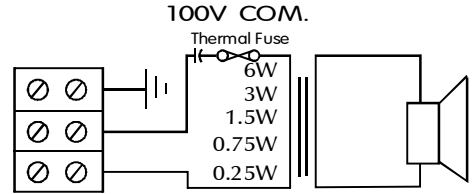
RCS5FT/ENC has been tested in 100 hours max power (6W). The model does not deviate more than ± 3dB from the original test value. The freq. response curve and impedance complies with the original one. All SPL tests are performed in a anechoic chamber (<70m/3).

➤ **RCS 5FT/ENC**

➤ **RCS 6FT/ENC INSTALLATION GUIDE**

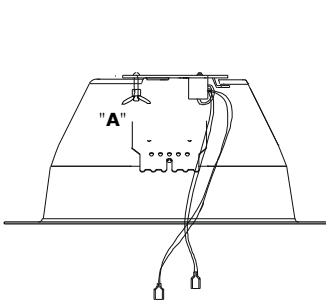


- 1. loudspeaker enclosure
- 2. reference axis
- 3. reference plane
- 4. horizontal plane

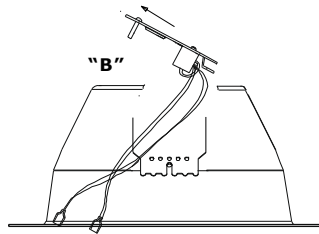


Circuit Diagram

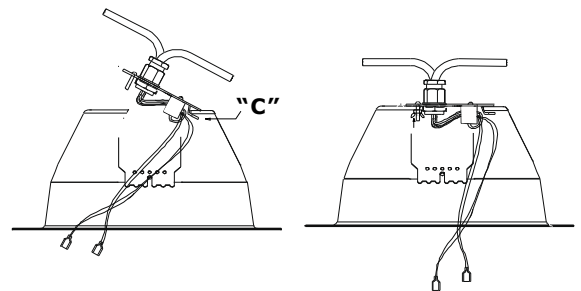
**RCS 5FT/ENC
RCS 6FT/ENC**



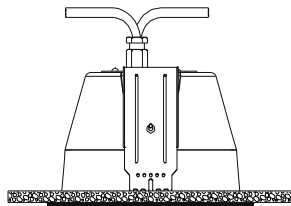
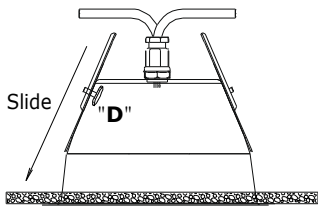
1/ Loosen wingnut "A".
 (you have to remove the wing nut completely)



2/ Lift the plate slightly @ "B", this will disengage the whole Plate.

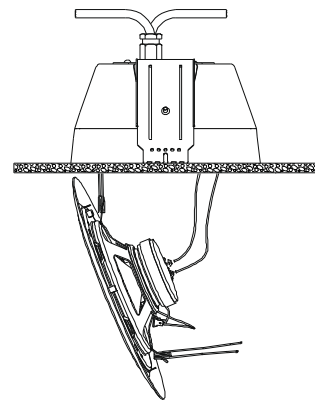


3/ Wire plate.
 4/ Tilt the Plate and re fit it.
 5/ Be sure you push and slide the retaining clip "C" to the most closely.
 6/ Tighten wing nut.

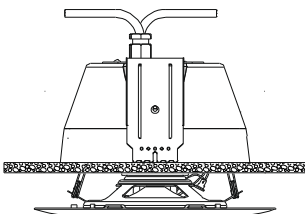


Fitting the dome into a ceiling

7/ loosen the retaining knob for slider "D", push sliders to the top of dome and insert dome into pre-cut hole.
 8/ Once dome has been inserted, pull the slider knob down until it clamps to the ceiling. Tighten the retaining knobs to secure the dome



9/ Fitting the Speaker.
 Compress one of "V" spring and fit in to the retaining ear within the dome.
 Connect leads to the speaker transformer.



10/ Fit second "V" spring in to second retaining ear and gently push the speaker up into the dome. (do not push the central perforated grille area) the Speaker will self-locate into the dome.