



# RCS 5FTCX/ENC SPECIFICATIONS



RoHS



ATEIS EUROPE B.V.

Website: www.ateis-international.com

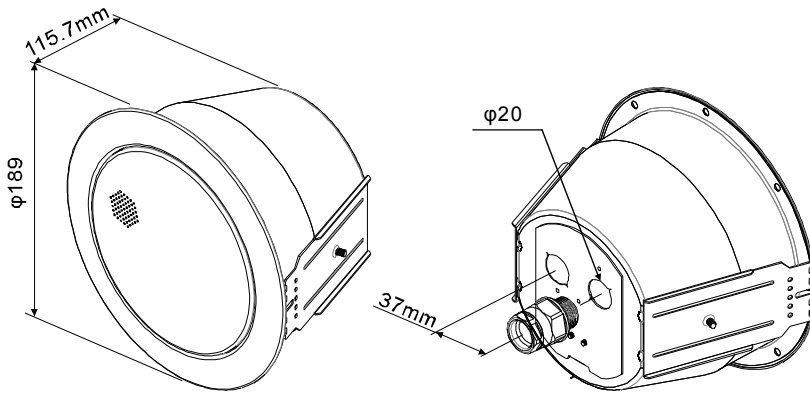
Sydneystraat 42, ROTTERDAM, 3047 BP, Netherlands. Tel: 31-10-2088690

**EN54-24:2008  
0359-CPD-0137  
TYPE A**

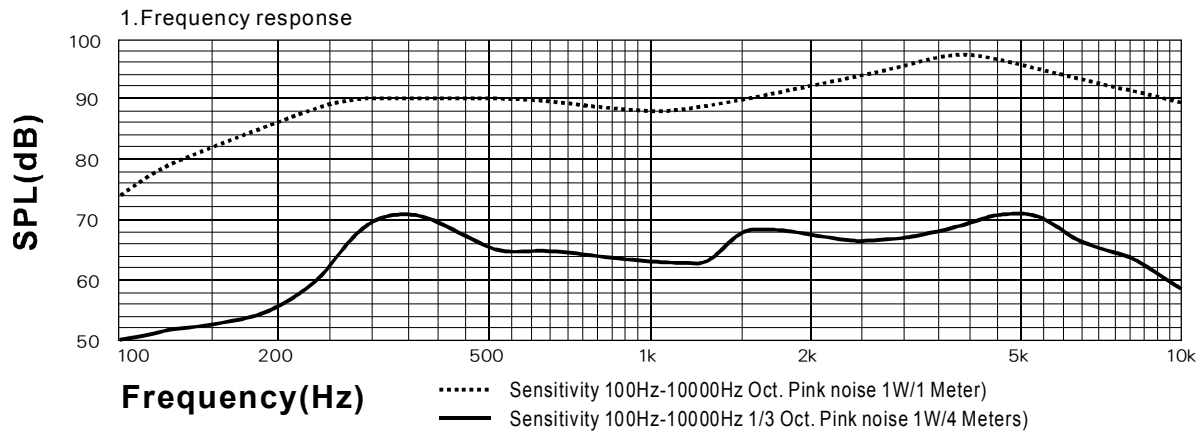
With Transformer:

100V/70V line

	White wire plus tapping				Black
100V	1.25W	2.5W	5W	10W	COM
70V	0.625W	1.25W	2.5W	5W	COM
IMP.(Ω)	8K	4K	2K	1K	



## Technical Specifications



### 2. Horizontal coverage angles = Vertical angles

		Horizontal	Vertical
1 Oct. Pink noise	500 Hz	180°	180°
1 Oct. Pink noise	1K Hz	180°	180°
1 Oct. Pink noise	2K Hz	140°	140°
1 Oct. Pink noise	4K Hz	60°	60°

### 3. Environmental

IP-rating.....21  
 Max/Min amb temp.....55 °C / - 10 °C  
 Relative humidity.....≤95%

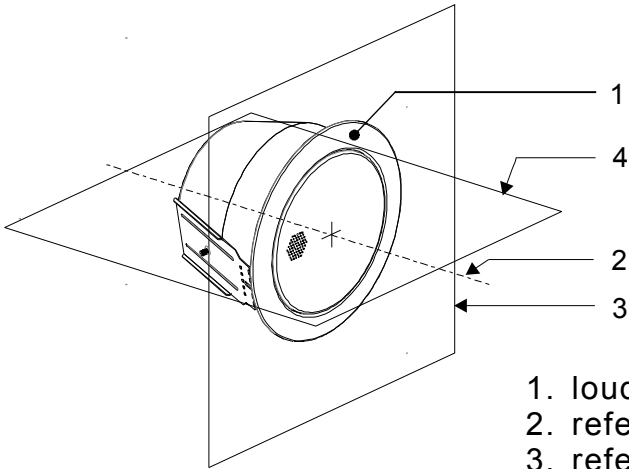
### 4. Electrical

Rated power, Watts 10  
 Tappings 100 volt line, Watts 10/5/2.5/1.25  
 Transformer Impedance , Ohms 100V 1k/2k/4k/8k  
 Tappings 70.7 volt line, Watts 5/2.5/1.25/0.625  
 Driver impedance, Ohms 8  
 Effective Frequency Range, Hz (BSEN60268-5) 130 - 18.5K  
 S.P.L. @ 4m, 1watt, dB, 1/3 Octave, 1KHz 63  
 S.P.L. @ 1m, 1watt, dB, Octave 1KHz 91  
 S.P.L. @ 4m, Full power, dB, 1/3 Octave 1KHz 73  
 S.P.L. @ 1m, Full power, Octave 1KHz 101

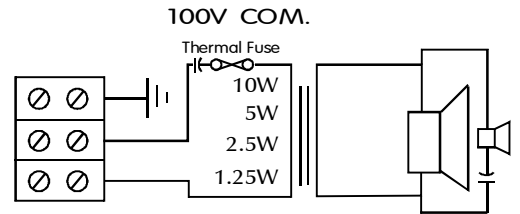
### 5. Mechanical

Dimensions φ189mm  
 Net weight, Kgs 1.5  
 Colour (Unless Specified) RAL9016  
 Material Steel  
 Mounting Torsion springs  
 Cut-out, mm φ164

RCS 5FTCX/ENC has been tested in 100 hours max power (10W). The model does not deviate more than ± 3dB from the original test value. The freq. response curve and impedance complies with the original one. All SPL tests are preformed in a anechoic chamber (<70m/3).

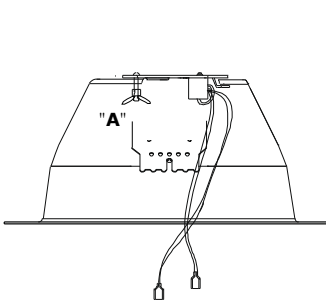


- 1. loudspeaker enclosure
- 2. reference axis
- 3. reference plane
- 4. horizontal plane

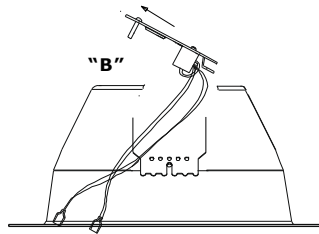


**Circuit Diagram**

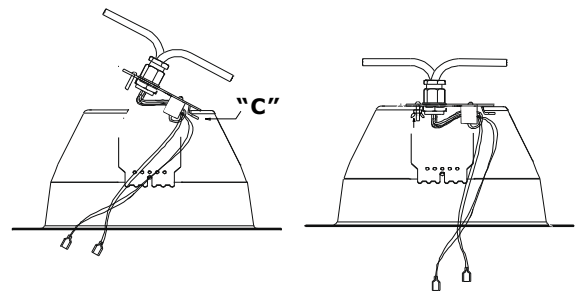
**RCS 5FTCX/ENC  
RCS 6FTCX/ENC**



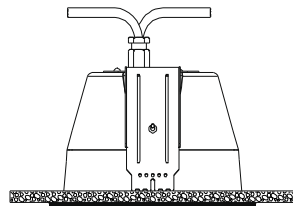
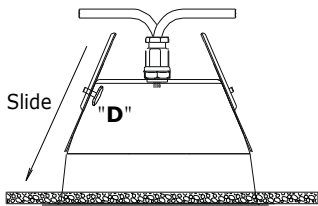
- 1/ Loosen wingnut "A".  
(you have to remove the wing nut completely)



- 2/ Lift the plate slightly @ "B", this will disengage the whole Plate.

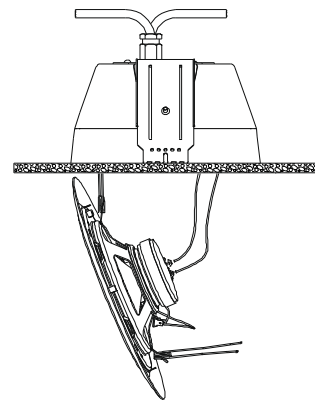


- 3/ Wire plate.  
4/ Tilt the Plate and re fit it.  
5/ Be sure you push and slide the retaining clip "C" to the most closely.  
6/ Tighten wing nut.

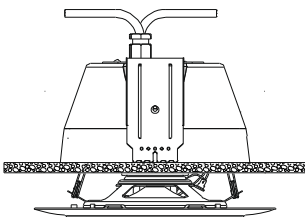


**Fitting the dome into a ceiling**

- 7/ loosen the retaining knob for slider "D", push sliders to the top of dome and insert dome into pre-cut hole.  
8/ Once dome has been inserted, pull the slider knob down until it clamps to the ceiling. Tighten the retaining knobs to secure the dome



- 9/ Fitting the Speaker.  
Compress one of "V" spring and fit in to the retaining ear within the dome.  
Connect leads to the speaker transformer.



- 10/ Fit second "V" spring in to second retaining ear and gently push the speaker up into the dome. (do not push the central perforated grille area) the Speaker will self-locate into the dome.