

Pin 1. RS-485 B
 Pin 2. RS-485 A
 Pin 3. Line in -
 Pin 4. 24Vdc
 Pin 5. Ground
 Pin 6. Line in +
 Pin 7. Line out -
 Pin 8. Line out +

RJ 45
 (8 pin)

RJ 45
 (8 pin)

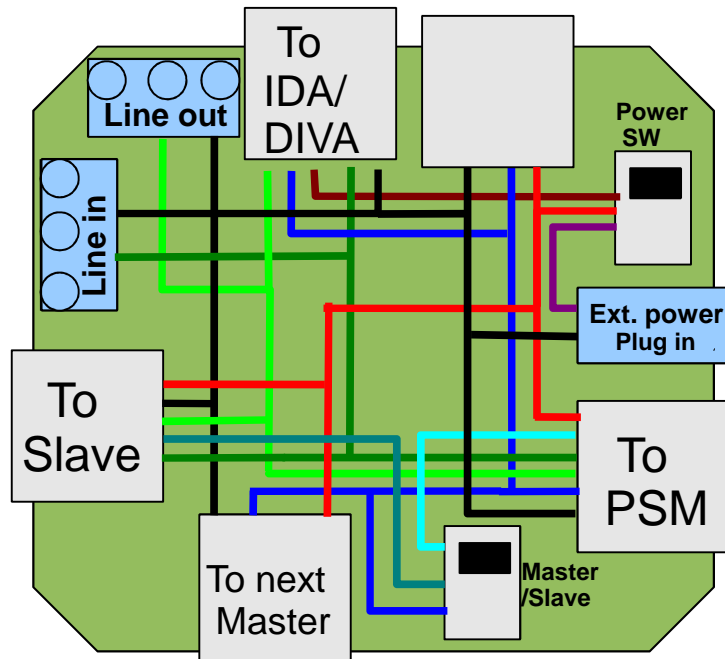
Pin 1. Slave RS-485 B
 Pin 2. Slave RS-485 A
 Pin 3. Line in -
 Pin 4. 24Vdc
 Pin 5. Ground
 Pin 6. Line in +
 Pin 7. Line out -
 Pin 8. Line out +

RJ 45
 (8 pin)

RJ 45
 (8 pin)

Pin 1. RS-485 B
 Pin 2. RS-485 A
 Pin 3. NC
 Pin 4. 24Vdc
 Pin 5. Ground
 Pin 6 ~ 8. NC

Pin 1. Master RS-485 A
 Pin 2. 24Vdc
 Pin 3. Slave RS-485 B
 Pin 4. Slave RS-485 A
 Pin 5. Line out +
 Pin 6. Line out -
 Pin 7. Line in +
 Pin 8. Line in -
 Pin 9. Ground
 Pin 10. Master RS-485 B



— GND

— 24Vdc(from LAP)

— Line out(+/-)

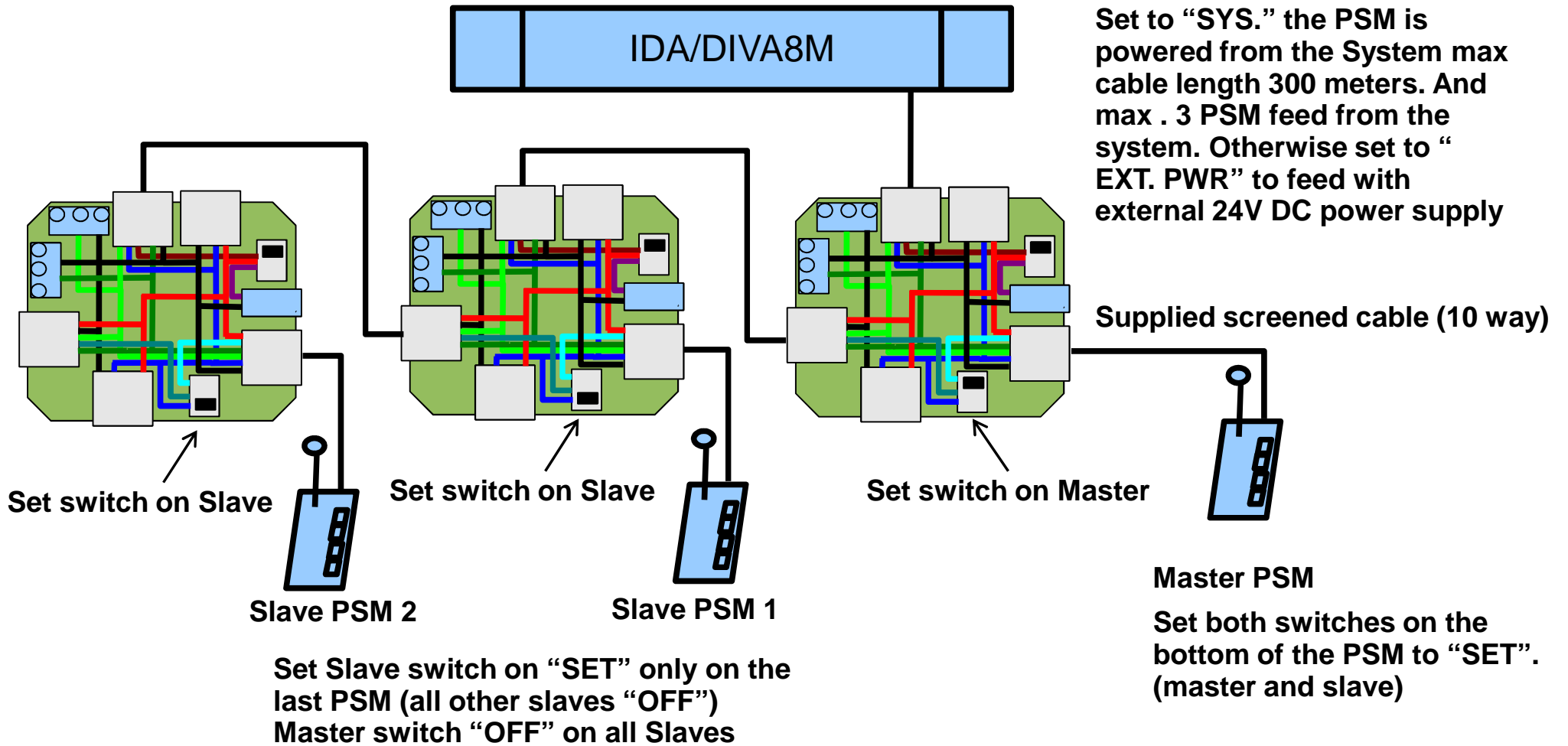
— 24Vdc(from Adapter)

— Line in(+/-)

— 24Vdc

— Slave RS-485(A B)

— Master RS-485(A B)



Maximum 10 PSM's in one string. Only the first PSM (master) is monitored. All slaves follow the settings of the master. Total cable length is 1000 meters. Cable must be screened CAT5 cable (STP) Local power supply is needed if the cable length is over 300 meters or after every 3th PSM.